



江苏省名牌产品
江苏省著名商标



江苏万奇电器集团有限公司

地址：江苏省南京市汉中路1号

电话：025-86080266、13901585896

传真：025-83208892

邮编：210009

邮箱：njfsl@vip.163.com

网址：www.dianqishebei.com

QGQJ系列节能耐腐蚀钢制电缆桥架

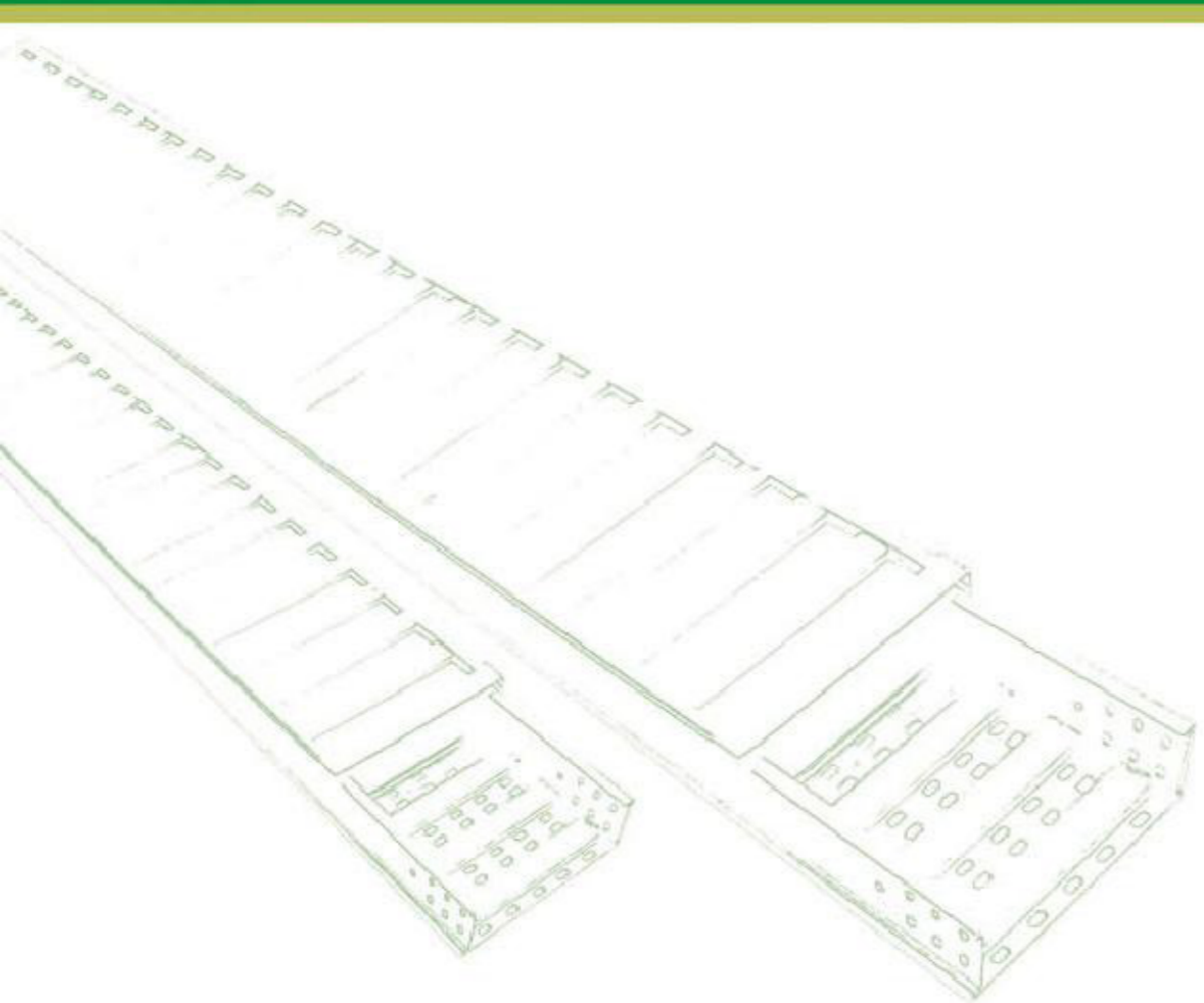
CN-QGQJ系列节能不锈钢电缆桥架

WQ/GBQJ系列高强度钢腹玻璃钢电缆桥架

XQJ系列钢制电缆桥架



电缆桥架



集团介绍

万奇集团是由江苏万奇电器集团有限公司（原镇江万奇电器设备有限公司）为母公司，下属四个子公司组建的集团。母公司创建于一九九二年，下属有与美国软技术国际公司合资创办的镇江万奇电气科技有限公司，在盱眙投资一亿多元打造桥架生产基地的江苏万奇电气有限公司，研发和生产各种母线槽产品的镇江万奇银通母线有限公司和专业经营物流的扬中市万汇金属物资有限公司。集团总占地面积85000多平方米，其中建筑面积35500平方米，公司现有员工460多人，其中工程技术人员150多人，注册资本5000万元人民币，总资产20000多万元人民币，公司设有28个销售机构，销售网络遍及全国各地，为用户提供了强有力的销售、服务保障体系。

本集团公司是一个集研制、开发和生产桥架、母线的专业生产企业，是本地区和本行业新崛起的科技成长型企业。主要产品有：QGQJ系列节能耐腐蚀电缆桥架、XQJ系列汇线桥架、WQ/GBQJ系列高强度钢腹玻璃钢桥架、HFB防火阻燃桥架；WQYTC2-T铜质、WQYTC2-TL铜铝复合系列高效散热密集型节能母线槽、CFW-2A新型高强分离式封闭母线、FMC-2密集型插接式母线、CGH型系列耐火母线和WQ/ZM系列照明母线。

公司研制生产的电缆桥架、母线槽先后获国家19项专利，并已申报国际专利进入（美国）阶段，节能耐腐蚀钢制电缆桥架获国家重点新产品证书，省优秀专利奖。先后有三个产品和技术通过省、市新产品和科技成果鉴定，桥架VCI表面处理技术填补了国内空白，达到国际先进水平，三个产品获省、市高新技术产品称号，两次获镇江市科技进步奖，桥架产品被列为省火炬计划项目，全国首家桥架产品的节能认证，产品和企业先后获省质量信用产品、省质量诚信企业、省高新技术企业、省民营科技企业、省名牌产品、省著名商标等荣誉称号。是中国节能协会理事单位、中国电器工业协会会员单位、中国工程建设标准化协会理事单位、全国电器附件标准化技术委员会电缆桥架分会委员单位。由我公司负责编制的国家标准GB/T23639-2009《节能耐腐蚀钢制电缆桥架》有效地规范了生产企业的技术及质量标准，推动了电缆桥架行业由粗放型向低碳集约型经济的转变，由普通桥架的剪、折、冲简单工艺向自动化、规范化、标准化的技术性转变，由低端质量要求向高端质量标准的转变。节能桥架产品的成功问世突破了长期以来桥架在强度、防腐方面的技术瓶颈，为广大用户选择高防腐质量标准产品提供了有力的技术支持。

“自强不息、求索创新、图强立志、敢为人先”是本集团公司的企业精神，“突破传统、勇于开拓、引领行业、傲立市场”是本集团公司的经营理念。高强度钢腹玻璃钢桥架的研制成功，为UPR复合材料在桥架行业的应用作出了重要贡献；母线系列产品全部通过3C认证，自主创新研发的弹张封闭便捷式照明母线槽，鉴定专家给与了较高评价；经消化吸收国外母线新技术研发的高性能低阻抗母线，防护等级高达IP66，性价比优于国际品牌产品。

本集团公司产品畅销全国各地，经中石油四川石化、抚顺石化、宁夏石化炼油及乙烯等大型工程大批量的使用，以及中石化四川维尼纶、仪征化纤、奥运工程-首都国际机场二、三期工程、上海世博会部分场馆等全国上千项工程使用，产品质量及服务受到了用户的一致好评。土耳其BIGA自备电厂1#基础工程、伊朗莫拉萨得拉水坝水电站、缅甸水津水电站工程等在使用了本集团公司的产品后，对产品的创新性和质量的可靠性给予了较高评价，万奇产品已经蜚声海内外。

本集团公司技术力量雄厚，生产工艺先进，质量体系完备，人员素质良好，管理体制科学，售后服务优良，具有较强的科技产品的研发和综合生产能力，我们将为您提供优质的产品和优良的服务，与您共同携手，共创未来。

ONEQ GROUP develops from JiangSu WanQi Electric Group Co Ltd (original Zhenjiang WanQi Electric Equipment Co Ltd), and four sub-companies.

Jiangsu WanQi Electric Equipment Group Co., Ltd. was founded in 1992, includes Zhenjiang WanQi Electric Technology Co., Ltd. which is a joint venture with American software technology international company, JiangSu WanQi Electric Co., Ltd. investing more than RMB100 million to build cable tray production base in XuYi, ZhenJiang Yingtong Bus Bar Co., Ltd. majoring in research and producing various bus bars, YangZhong WanHui Metal Materials Co., Ltd. which operates logistics.

ONEQ GROUP covers an area of 85,000 sq.m., 35,500 sq.m. construction area among this. She has more than 460 employees, 150 engineering technicians, 50 million RMB registered capital, 200 million RMB total assets. 28 sales companies provide strong service guarantee system to customers all over China.

ONEQ GROUP is a growth enterprise of science and technology in local region and this industry, specialized in developing and manufacturing cable tray and bus bar. The leading products include QGQJ Energy Conservation and Corrosion-resistant Cable Tray, XQJ Wire-collection Cable Tray, WQ/GBQJ High Strength Steel-abdomen GRP Cable Tray, HFB Fireproof Cable Tray, WQYTC High Performance & Low Impedance Bus Bar,CFW-2A New-type High-strength Separable Closed Bus Bar, FMC-2 Compact Plug Bus Bar and CGH Fireproof Bus Bar and WQ/ZM Lighting Bus Bar.

Self-research cable tray and bus bar of ONEQ GROUP has won 19 national patents, and entered into the process (USA) of applying international patent. Energy Conservation Corrosion-resistant Steel Cable Tray has been awarded "Excellent Patent in Jiangsu Province" and "National Important New Products Certificate".

Three kinds of products and technology passed "New Product and Sci-Tech Achievements Identification" in JiangSu Province or ZhenJiang city successively.

VCI as Surface treatment technology of cable tray filled the blank in China and reached advanced level in the world. Some awards of products as follows: "High-tech Product of JiangSu Province", "ZhenJiang Sci-Tech Progress Award" (two times), "Certificate of JiangSu Province Torch Program Items", "National Energy Conservation Products Certification" (the first products rewarded in China), "Quality Dependence Product of JiangSu Province", "Famous Brand Product of Jiangsu Province" and so on. ONEQ GROUP honored as follows: "Energy Conservation Association Of China trustee unite", "Electrical Equipment Industry Association Of China member", "Engineering Construction Standardization Association Of China Trustee Unite", "Quality Dependence Enterprise of Jiangsu Province"; "High-tech Enterprise of Jiangsu Province", "Private Technology Enterprise of Jiangsu Province" and so on.

The national standardization of "Energy Conservation Corrosion-resistant Steel Cable Tray" compiled by Manager Ma (the president of ONEQ GROUP) has been issued and implemented. It is the first product national standardization compiled by company majorly in the local region and that will be the milestone in the history of cable tray development.

The spirit of ONEQ GROUP is: self improvement, innovation pursuit, strong determination, to be winner. Developing mind is: break tradition, dare to explore, leading industry, occupy market. High Strength Steel-abdomen GRP Cable Tray makes big contribution to the application of UPR Compound Material in the field of cable tray. Our Bus bar products have passed 3C certification and got high evaluation of experts. The protecting rate of High Performance & Low Impedance Bus Bar reached IP66 after adopting new technology abroad which cost-effective is better than international brand products.

Our cable tray sells well all over china and participates in thousands of famous projects, such as: "2008 Olympic project-Beijing Capital international airport Phase 2 and 3, part of Shanghai EXPO museum, Shanghai international Global Financial Centre that is the highest building in the world, Turkey BIGA self-provided power plant factory 1 # basic project, Iran Mollasadra DAM&HPP Project, Myanmar Shwegyin Hydropower Station etc. They give us high evaluation on the innovation of products and the reliability of quality. So the products of ONEQ GROUP have become world-famous at the same time.

ONEQ GROUP has strong technology strength, vanguard technology, complete quality system, professional employees, scientific management system, excellent after-sale service, advanced R&D capability and Synthetical producing capacity. We will provide high-quality and perfect service for you. Let us join hands for a better future.



目 录 Catalog



电缆桥架型号表示方法 Expression of Cable Bridge Frame 1

节能轻质高强电缆桥架 Energy-saving Light High-intensity Cable Bridge Frame 4

高耐腐不锈钢节能轻质高强电缆桥架 High Anti-erosion Stainless Steel Energy-saving Light High-intensity Cable Bridge Frame 16

高强度钢腹玻璃钢电缆桥架 High Strength FRP Steel Abdomen Cable Trays 25

普通梯级式、托盘式电缆桥架 General Step Pattern & Salver Pattern Cable Bridge Frame 31

普通槽式电缆桥架 General Trough Pattern Cable Bridge Frame 35

普通组合式、配线桥架及连接附件：普通组合式桥架 Combination Pattern & Wiring Bridge Frame Connection Accessories; Combination Pattern & Wiring Bridge Frame 39

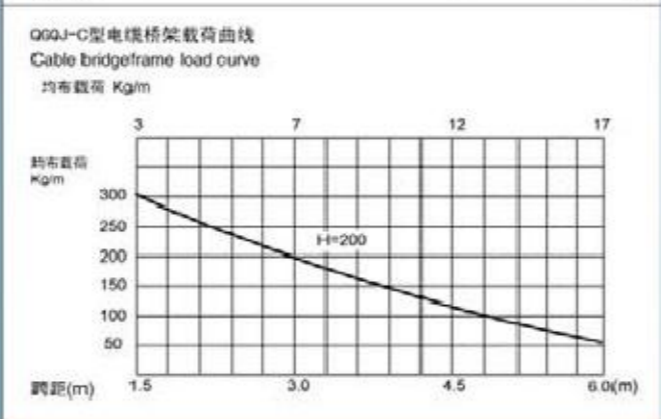
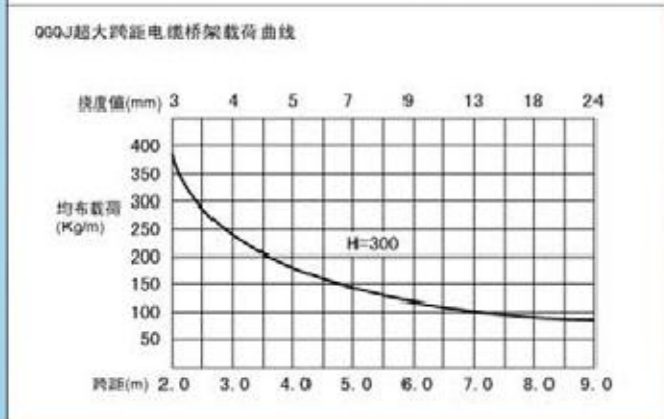
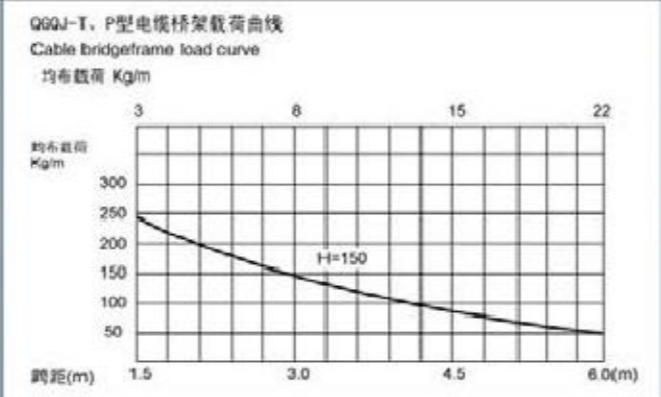
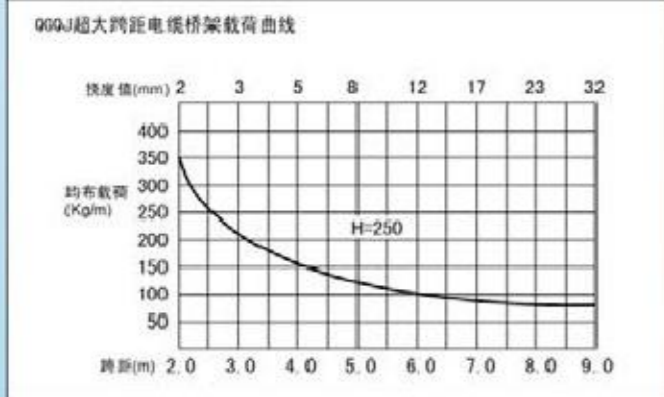
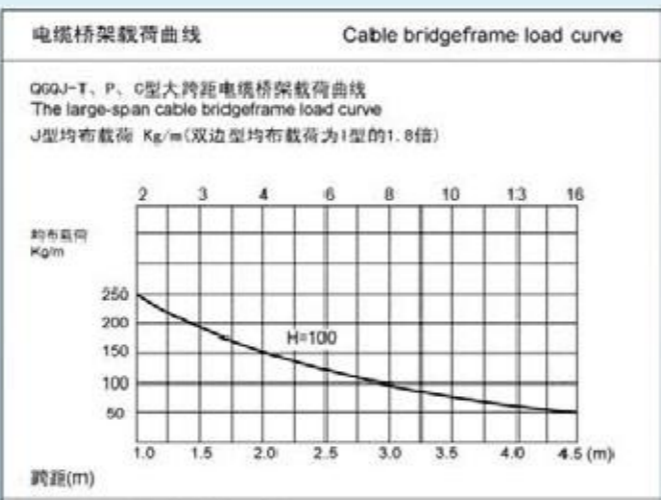
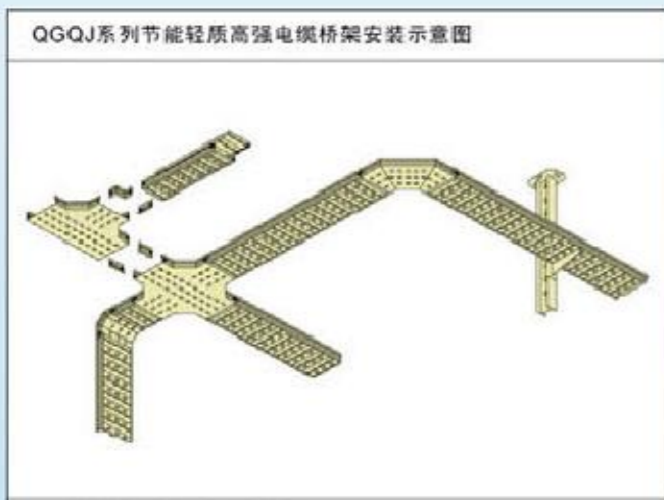
普通电缆桥架连接件、普通电缆桥架护罩 Cable Bridge Frame Connection Pieces, Cable Bridge Frame Shield 43

电缆竖井、电缆竖井接头 Cable Shaft Frame Shaft connection 45

电缆桥架立柱、电缆桥架托臂 Cable Bridge Frame Standing Pole 47

固定支架、悬吊式安装、引上、引下装置 Fixing Bracket, Suspensory Installation, Up-leading & Down-leading Set 51

固定件、配件 Fixing Piece, Fittings 53



电缆桥架选型设计

1. 确定环境条件 环境条件一般有三种：腐蚀环境，正常环境，特殊环境。
2. 确定走向 根据多数电缆走向，在室内可沿墙、柱、梁、楼板走，在室外尽可能沿工艺管道走。
3. 计算荷重 计算在电缆桥架走向断面上的单位长度电缆的重量q及总荷载G
 $G_{总} = n_1q_1 + n_2q_2 + \dots$
 式中：q₁, q₂, q₃...q_n为每根电缆单位重量 (kg/m)
 n₁, n₂, n₃...n_n为相同电缆的根数
 $G_{总} < G_{允}$ (电缆桥架的允许荷载，参照载荷曲线图表)
4. 选择桥架 根据电缆载荷，及桥架安装处的环境，以桥架的载荷曲线为依据，来确定桥架的类型和规格及立柱的间距、托臂的长度、桥架的层次、立柱的长度等。
5. 根据电缆走向及安装的环境确定桥架的固定方式：悬挂式、直立式，(这两种形式均可采用单侧固定或双侧固定)、壁侧式等。
6. 各种电缆在电缆桥架上的层次安排与层间距离。电缆桥架层次的排列是：弱电控制电缆在最上层，接着一般控制电缆、低压动力电缆、高压电力电缆依次往下排；
 如下表：这样排有利于屏蔽干扰通风、散热等。

层次	电缆用途	采用的电缆桥架型式
上	计算机电缆	带盖板的托盘或槽架, 全封闭式
	屏蔽电缆	带盖板的托盘或槽, 全封闭式
	一般控制电缆	托盘
下	低压动力电缆	托盘或梯架
	高压动力电缆1.5~3kv	带盖板的托盘
	特高压动力电缆35kv	带盖板的托盘

7. 当桥架的固定方式采用悬挂工艺且托臂为单侧多层次安装时，为了立柱受力平衡，应选用对称荷载方式，敷设电缆桥架。
8. 大跨距敷高电缆，可选用大跨距用电缆桥架。
9. 电缆桥架在穿越易受外来机械损伤的地区和日晒地区，应选用防护盖板。
10. 当电缆槽或桁架式梯架需转变分支时，可采用各种变通连接。
11. 电缆桥架的防腐措施为：高耐腐VCI双金属涂层、不锈钢表面出光氧化处理。
12. 当电力电缆桥架的支撑间距应小于允许支撑跨距。宽度应留有一定的备用空位，以便以后增添电缆用。
13. 当电力电缆和控制电缆较少时，可在一个电缆架上安装，但中间要用隔板将电力电缆和控制电缆隔开。
14. 水平敷设电缆桥架，桥架的连接头应尽量设置在跨距的1/4处，水平走向电缆每隔2m固定一次，垂直走向电缆1.5m固定一次。
15. 电缆桥架应有可靠接地，如为干线应将桥架的端部并联软铜线(截面积16mm²)，并与总接地线相通。长度桥架每隔30~50m接地一次。
16. 焊接安装时，焊件四周焊缝不小于母材纯度，并加防腐处理。
17. 根据桥架的选用情况，按订货清单所示内容提出电缆桥架材料及细表。

QGQJ系列节能耐腐蚀轻质高强电缆桥架

节能耐腐蚀轻质高强电缆桥架（以下简称节能桥架）是江苏万奇电器集团有限公司（原镇江万奇电器设备有限公司）自主创新研制开发的第一代具有高科技含量的产品。该产品具有节能、轻质、高强、耐腐蚀等特性，分别获得国家知识产权局发明专利、实用新型和外观设计十三项专利证书，2003通过江苏省科技成果鉴定，并获得了江苏省高新技术产品称号，被列为2005年省火炬计划。2005年通过了全国首家电缆桥架节能产品认证。2007年被评为国家重点新产品。该桥架各项经济技术指标具有普通桥架不可比拟的优势，是新一代理想的换代产品。

新技术，新产品——铸就桥架行业的新标准

QGQJ系列节能桥架产品的新颖性在于根据材料力学的原理，采用凹凸瓦楞结构代替传统的平板结构，从而大大提高了桥架的机械强度，降低了钢板使用厚度，减轻了自重，节约了资源，是一项科技成果的新产品。为推广新技术新产品，2005年，我公司参与了CECS31：2006《钢制电缆桥架工程设计规范》的编制，该规范将节能桥架的设计选用做了规定要求。2008年，以我单位为主编制的国标GB/T23639-2009《节能耐腐蚀钢制电缆桥架》于2009年11月起正式实施。随着设计规范和国标的实施，节能桥架将会为社会创造不可限量的经济效益。

节省电能——为用户创造效益

利用桥架超越的散热性能，达到节能，是节能桥架的一个创造性技术亮点。节能桥架节能机理是桥架在结构上通过创新的设计，达到了利用热传导和空气的热交换，最大限度使置于桥架内的电缆导体所产生的热量得到充分散发，从而降低了电力线路的电阻值和损耗，提高了电能利用率，达到节能的效果。经国家质量技术监督局广州电气安全检验所检测，节能托盘与普通托盘相比，节电率为2.05%，与普通梯架相比，节电率为0.95%，该桥架首家通过中国节能产品认证。节能桥架为用户在电缆降低线路损耗和提高电能利用率方面做出了突出的贡献，是一项不可忽视的技术成果。随着人们对电缆线路损耗的重视和节电意识的增强，更多的用户将会从节能桥架的使用中受益。

结构科学——轻质高强，节约资源

轻钢结构是现代潮流，是科技的象征。采用轻钢结构建造的大型体育馆、展览中心、机场及摩天大厦，是现代工程力学科技的亮点，给世界增添了秀丽的风光。集装箱体采用瓦楞轻钢结构，使物流经济效益得到提高。节能桥架是由凹凸瓦楞结构组成，在确保产品质量，使用功能进一步提高的前提下，强度大幅度提高，自重降低30%以上，给用户在安装、运输、装卸等方面，带来极大的方便，高空安装作业尤为突出。产品经江苏省产品质量监督检验中心所检测，各项技术指标优于普通的桥架产品，卓越的性能、全新的工艺，使产品价值超过了它的价格，广大用户将会在该产品的使用中获得最大的实惠。

抗腐蚀——环境友好，一劳永逸

由于电镀、喷漆、热镀锌桥架表面处理技术性能存在不足和弊端，公司自主创新研发了高耐腐气相缓蚀(VCI)双金属复合涂层技术，该科技成果填补了国内空白，达到国际先进水平，使桥架的抗腐性能大幅度提高，达到高长效抗腐作用。经机械工业电产品环境适应性检测中心3000h盐雾试验、1000h化学腐蚀气体(SO₂)试验、240h酸碱介质浸泡试验、12周期交变湿热试验检验，无腐蚀现象。经对比检验数据表明，该涂层的抗腐性能是热镀锌的20倍以上。新国标GB/T23639-2009《节能耐腐蚀钢制电缆桥架》已对高耐腐气相缓蚀(VCI)双金属复合涂层的性能指标做了规定要求。随着桥架表面防腐质量要求的提高，节能耐腐蚀的桥架将成为工程建设中不可替代的选择。

新颖设计——给你的建筑增加一道风景线

节能桥架以全新的工艺、全新的结构，给人以耳目一新的感觉，其造型和外观具有鲜明的立体感，安装使用后，带给人们如艺术品般的观感享受。整个产品的构造合理，工艺先进，填补了国内外同类产品的空白。

QGQJ energy conservation corrosion-resistant light weighted high strength cable tray

Energy conservation corrosion-resistant light weighted high strength cable tray (hereafter be shorted as energy conservation cable tray) is independently developed by JIANGSU WANQI ELECTRIC GROUP CO., LTD (ZHENJIANG WANQI ELECTRIC EQUIPMENT CO., LTD). The features can be shown like energy conservation, light weight, high strength and corrosion-resistant. As a new generation of cable tray, it won 13 patents permitted by State Intellectual Property Office for the new practical type, new appearance design and so on. It passed Achievement Appraisal Certificate and titled as High-tech Product of Jiangsu Province in 2003 and listed Jiangsu Torch Program in 2005. The same year it got Energy Conservation Product Certification for national first product. It became "National Key Product" in 2007. Each economic & technical index of this cable tray got more advantages than common products. The cable tray Revolution brought a new period in Electric product history.

New technology, new product — setting new standard for cable tray

The novelty of QGQJ energy conservation cable tray is reflected on concavo-convex corrugated structure which based on material mechanics principle, but not common structure. It is a new achievement of scientific & technological that can save resources, improve mechanical strength, reduce the steel thickness and self-weight of cable tray.

To promote new product and technology, Wanqi Company participated in compiling CECS31:2006 "steel-made cable tray engineering design specification" to give a design standard of energy conservation cable tray in 2005. National standard: GB/T23639-2009<energy conservation and corrosion-resistant steel-made cable support system> majority compiled by us has been issued and implemented officially. With the implementation of design specification and national standard, energy conservation cable tray will create the limitless economic benefits for society

Power saving—bring benefits to customers

The creative technology of energy conservation cable tray is the excellent heat dissipation performance of it. The mechanism of power saving is: creative structure of cable tray make thermal conduction and the air of heat exchange to make the heat from cable conductor inside radiating adequately, so that can reduce the electric circuit resistance and loss, improve the energy utilization, achieve the effect of energy conservation. Guangzhou electrical installation inspection of National Quality Technology Supervision Bureau tested: compared with ordinary perforated cable tray, energy saving rate 2.05%, for ordinary bridge, saving rate 0.95%. As an innegligible technical fruit, energy conservation cable tray made outstanding contribution in reducing cable conversion and improving power utilization. People have paid more attention on cable conservation and power conservation, more and more customers will gain big benefits from this kind cable tray.

Scientific structure - high strength, resource conservation

Light-steel structure is the modern trend; it is the symbol of science and technology. Light-steel structure used to build large stadium, exhibition center, airport and skyscraper. It also the lightness of engine mechanism, and bring beautiful view to world. To increase the intensity, reduce self-weight, container using concavo-convex corrugated light-steel structure, improve economic efficiency of logistics. Energy conservation cable tray is made up by concavo-convex corrugated structure. To make sure high quality and whole function to further improve, strength increased and self-respect reduced 30% greatly. Bring great convenience in the installation, transportation, loading and unloading, etc, especial aerial installation. The Quality Supervision and Inspection Center of Jiangsu Province taxed: technical indexes higher than ordinary bridge products. Excellent performance, the new technology product is worth more than the price, which can make big benefits to our customers from this kind cable tray.

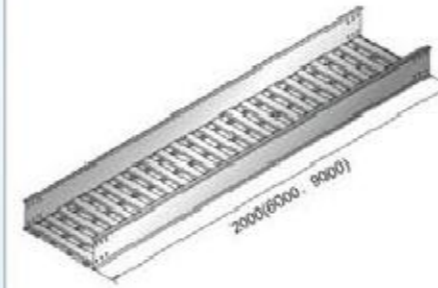
Erosion resistant-environment protecting, once and for all

Due to the deficiency of galvanization, plastic spraying, hot-dip galvanized bridge surface treatment technology and performance of corrosion-resistance, Wanqi company independently developed High Anti-erosion Volatile Corrosion Inhibitor (VCI) Double Metal Compound Surface Coat technology, the technology achievements, has reached the international advanced level, dramatically improve corrosion-resistance. By Mechanical Industry Electrical Products Environmental Adaptable Test Center 3000h salt fog experiment 1000h chemical corrosive gas (SO₂) experiments, 240h alkali medium soak experiment, 12 cycles dampness experimental test, corrosion phenomena didn't happened. By contrast test data show that the plating coating corrosion resistant properties is 20 times of galvanizing. New standard of GB/T 23639-2009<energy conservation and corrosion-resistant steel made cable support system> give requirement to the index of High Anti-erosion Volatile Corrosion Inhibitor (VCI) Double Metal Compound Surface Coat. With the quality improvement of corrosion-resistant performance of cable tray surface treatment, energy conservation and corrosion-resistant cable tray has become irreplaceable choice in project construction.

Novel design - to give your building a beautiful view

With new technology and structure, energy conservation cable tray give a fresh feeling with its shape and distinctive 3D appearance, and looks like an artwork. The reasonable structure, advanced technology has filled the blank of similar products.

WQ/QGQJ-P1 VS型托盘式节能耐腐蚀(透气型)电缆桥架



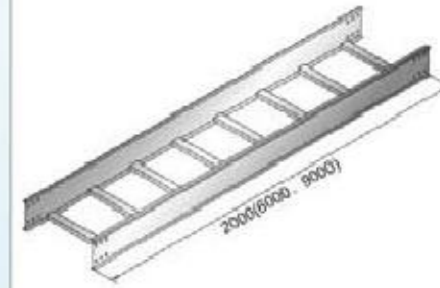
型号 Type	备注 Remarks
WQ/QGQJ-P1-200×100 VS	单排 连接 孔
WQ/QGQJ-P1-300×100 VS	
WQ/QGQJ-P1-400×100 VS	
WQ/QGQJ-P1-500×100 VS	
WQ/QGQJ-P1-600×100 VS	
WQ/QGQJ-P1-800×100 VS	
WQ/QGQJ-P1-200×150 VS	双 排 连 接 孔
WQ/QGQJ-P1-300×150 VS	
WQ/QGQJ-P1-400×150 VS	
WQ/QGQJ-P1-500×150 VS	
WQ/QGQJ-P1-600×150 VS	
WQ/QGQJ-P1-800×150 VS	
WQ/QGQJ-P1-200×200 VS	双 排 连 接 孔
WQ/QGQJ-P1-300×200 VS	
WQ/QGQJ-P1-400×200 VS	
WQ/QGQJ-P1-500×200 VS	
WQ/QGQJ-P1-600×200 VS	
WQ/QGQJ-P1-800×200 VS	

WQ/QGQJ-P2 VS型无孔托盘式(槽式)节能耐腐蚀(透气型)电缆桥架



型号 Type	备注 Remarks
WQ/QGQJ-P2-200×100 VS	单排 连接 孔
WQ/QGQJ-P2-300×100 VS	
WQ/QGQJ-P2-400×100 VS	
WQ/QGQJ-P2-500×100 VS	
WQ/QGQJ-P2-600×100 VS	
WQ/QGQJ-P2-800×100 VS	
WQ/QGQJ-P2-200×150 VS	双 排 连 接 孔
WQ/QGQJ-P2-300×150 VS	
WQ/QGQJ-P2-400×150 VS	
WQ/QGQJ-P2-500×150 VS	
WQ/QGQJ-P2-600×150 VS	
WQ/QGQJ-P2-800×150 VS	
WQ/QGQJ-P2-200×200 VS	双 排 连 接 孔
WQ/QGQJ-P2-300×200 VS	
WQ/QGQJ-P2-400×200 VS	
WQ/QGQJ-P2-500×200 VS	
WQ/QGQJ-P2-600×200 VS	
WQ/QGQJ-P2-800×200 VS	

WQ/QGQJ-T1 VS型梯级式节能耐腐蚀型电缆桥架



型号 Type	备注 Remarks
WQ/QGQJ-T1-200×100 VS	单排 连接 孔
WQ/QGQJ-T1-300×100 VS	
WQ/QGQJ-T1-400×100 VS	
WQ/QGQJ-T1-500×100 VS	
WQ/QGQJ-T1-600×100 VS	
WQ/QGQJ-T1-800×100 VS	
WQ/QGQJ-T1-200×150 VS	双 排 连 接 孔
WQ/QGQJ-T1-300×150 VS	
WQ/QGQJ-T1-400×150 VS	
WQ/QGQJ-T1-500×150 VS	
WQ/QGQJ-T1-600×150 VS	
WQ/QGQJ-T1-800×150 VS	
WQ/QGQJ-T1-200×200 VS	双 排 连 接 孔
WQ/QGQJ-T1-300×200 VS	
WQ/QGQJ-T1-400×200 VS	
WQ/QGQJ-T1-500×200 VS	
WQ/QGQJ-T1-600×200 VS	
WQ/QGQJ-T1-800×200 VS	

WQ/QGQJ-TPC VS型直接片



型号 Type
WQ/QGQJ-TPC-50 VS
WQ/QGQJ-TPC-75 VS
WQ/QGQJ-TPC-100 VS
WQ/QGQJ-TPC-125 VS
WQ/QGQJ-TPC-150 VS
WQ/QGQJ-TPC-200 VS
WQ/QGQJ-TPC-250 VS
WQ/QGQJ-TPC-300 VS

专用弹簧扣锁



WQ/QGQJ-P1、P2、T1型
节能耐腐蚀(透气型)水平弯通桥架

型号 Type	L (mm)	备注 Remarks
WQ/QGQJ-P1-	200×100-L1 VS	500
	300×100-L1 VS	600
	400×100-L1 VS	700
	500×100-L1 VS	800
	600×100-L1 VS	900
	800×100-L1 VS	1100
WQ/QGQJ-P2-	200×150-L1 VS	500
	300×150-L1 VS	600
	400×150-L1 VS	700
	500×150-L1 VS	800
WQ/QGQJ-T1-	600×150-L1 VS	900
	800×150-L1 VS	1100
	200×200-L1 VS	500
	300×200-L1 VS	600
	400×200-L1 VS	700
	500×200-L1 VS	800
	600×200-L1 VS	900
	800×200-L1 VS	1100

WQ/QGQJ-P1、P2、T1型节能耐腐蚀(透气型)垂直下弯通桥架

WQ/QGQJ-P1、P2、T1型节能耐腐蚀(透气型)垂直上弯通桥架

WQ/QGQJ-P1、P2、T1型节能耐腐蚀(透气型)水平三通桥架

WQ/QGQJ-P1、P2、T1型节能耐腐蚀(透气型)水平四通桥架

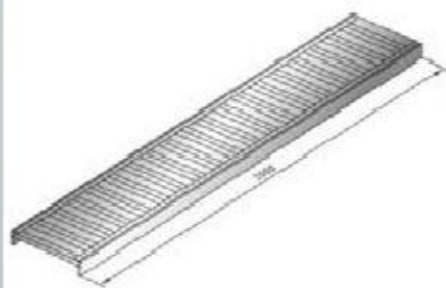
型号 Type	L1 (mm)	L2 (mm)	备注 Remarks
WQ/QGQJ-P1-	200×100-T1 VS	800	500
	300×100-T1 VS	900	600
	400×100-T1 VS	1000	700
	500×100-T1 VS	1100	800
	600×100-T1 VS	1200	900
	800×100-T1 VS	1400	1100
WQ/QGQJ-P2-	200×150-T1 VS	800	500
	300×150-T1 VS	900	600
	400×150-T1 VS	1000	700
WQ/QGQJ-T1-	500×150-T1 VS	1100	800
	600×150-T1 VS	1200	900
	800×150-T1 VS	1400	1100
	200×200-T1 VS	800	600
	300×200-T1 VS	900	700
	400×200-T1 VS	1000	800
	500×200-T1 VS	1100	900
	600×200-T1 VS	1200	1100
	800×200-T1 VS	1400	1200

型号 Type	L (mm)	备注 Remarks
WQ/QGQJ-P1-	200×100-X1 VS	800
	300×100-X1 VS	900
	400×100-X1 VS	1000
	500×100-X1 VS	1100
	600×100-X1 VS	1200
	800×100-X1 VS	1400
WQ/QGQJ-P2-	200×150-X1 VS	800
	300×150-X1 VS	900
	400×150-X1 VS	1000
WQ/QGQJ-T1-	500×150-X1 VS	1100
	600×150-X1 VS	1200
	800×150-X1 VS	1400
	200×200-X1 VS	800
	300×200-X1 VS	900
	400×200-X1 VS	1000
	500×200-X1 VS	1100
	600×200-X1 VS	1200
	800×200-X1 VS	1600

型号 Type	L (mm)	备注 Remarks	
WQ/QGQJ-P1-	200×100-L2 VS	360	单排连接孔
	300×100-L2 VS		
	400×100-L2 VS		
	500×100-L2 VS		
	600×100-L2 VS		
	800×100-L2 VS		
WQ/QGQJ-P2-	200×150-L2 VS	400	双排连接孔
	300×150-L2 VS		
	400×150-L2 VS		
	500×150-L2 VS		
	600×150-L2 VS		
	800×150-L2 VS		
WQ/QGQJ-T1-	200×200-L2 VS	550	双排连接孔
	300×200-L2 VS		
	400×200-L2 VS		
	500×200-L2 VS		
	600×200-L2 VS		
	800×200-L2 VS		
	400×250-L2 VS	750	三排连接孔
	500×250-L2 VS		
	600×250-L2 VS		
	800×250-L2 VS		
	400×300-L2 VS		
	500×300-L2 VS		
	600×300-L2 VS	900	三排连接孔
	800×300-L2 VS		

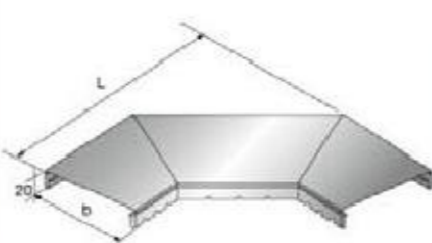
型号 Type	L (mm)	备注 Remarks	
WQ/QGQJ-P1-	200×100-L3 VS	360	单排连接孔
	300×100-L3 VS		
	400×100-L3 VS		
	500×100-L3 VS		
	600×100-L3 VS		
	800×100-L3 VS		
WQ/QGQJ-P2-	200×150-L3 VS	400	双排连接孔
	300×150-L3 VS		
	400×150-L3 VS		
	500×150-L3 VS		
	600×150-L3 VS		
	800×150-L3 VS		
WQ/QGQJ-T1-	200×200-L3 VS	550	双排连接孔
	300×200-L3 VS		
	400×200-L3 VS		
	500×200-L3 VS		
	600×200-L3 VS		
	800×200-L3 VS		
	400×250-L3 VS	750	三排连接孔
	500×250-L3 VS		
	600×250-L3 VS		
	800×250-L3 VS		
	400×300-L3 VS		
	500×300-L3 VS		
	600×300-L3 VS	900	三排连接孔
	800×300-L3 VS		

WQ/QGQJ-SZ VS型节能耐腐蚀电缆桥架护罩
(散热结构)



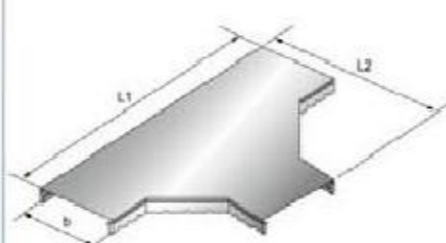
型号 Type	L (mm)	
	I型	II型
WQ/QGQJ-SZ-200 VS	600	700
WQ/QGQJ-SZ-300 VS	700	800
WQ/QGQJ-SZ-400 VS	800	900
WQ/QGQJ-SZ-500 VS	900	1000
WQ/QGQJ-SZ-600 VS	1000	1100
WQ/QGQJ-SZ-800 VS	1200	1300
WQ/QGQJ-SZ-1000 VS	1400	1500

WQ/QGQJ-SZ VS型电缆桥架弯通护罩



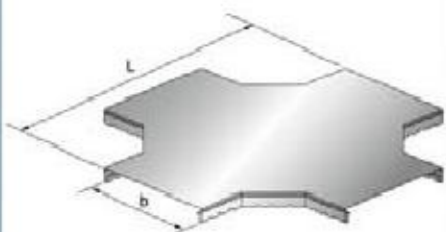
型号 Type	L (mm)		
	I型	II型	III型
WQ/QGQJ-SZ-200-L1 VS	600	700	
WQ/QGQJ-SZ-300-L1 VS	700	800	
WQ/QGQJ-SZ-400-L1 VS	800	900	
WQ/QGQJ-SZ-500-L1 VS	900	1000	
WQ/QGQJ-SZ-600-L1 VS	1000	1100	
WQ/QGQJ-SZ-800-L1 VS	1200	1300	
WQ/QGQJ-SZ-1000-L1 VS	1400	1500	

WQ/QGQJ-SZ VS型电缆桥架三通护罩



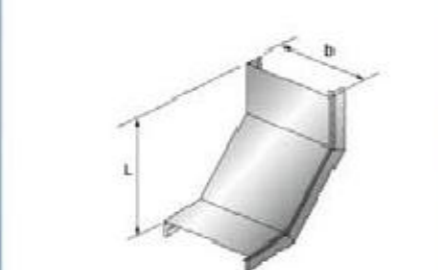
型号 Type	L1 (mm)	L2 (mm)
WQ/QGQJ-SZ-200-T1 VS	1200	700
WQ/QGQJ-SZ-300-T1 VS	1300	800
WQ/QGQJ-SZ-400-T1 VS	1400	900
WQ/QGQJ-SZ-500-T1 VS	1500	1000
WQ/QGQJ-SZ-600-T1 VS	1600	1200
WQ/QGQJ-SZ-800-T1 VS	1800	1300
WQ/QGQJ-SZ-1000-T1 VS	2000	1500

WQ/QGQJ-SZ VS型电缆桥架四通护罩



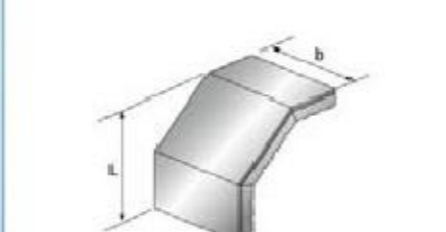
型号 Type	L (mm)	
	I型	II型
WQ/QGQJ-SZ-200-X1 VS	1000	1200
WQ/QGQJ-SZ-300-X1 VS	1100	1300
WQ/QGQJ-SZ-400-X1 VS	1200	1400
WQ/QGQJ-SZ-500-X1 VS	1300	1500
WQ/QGQJ-SZ-600-X1 VS	1400	1600
WQ/QGQJ-SZ-800-X1 VS	1600	1800
WQ/QGQJ-SZ-1000-X1 VS	1800	2000

WQ/QGQJ-SZ VS型电缆桥架垂直弯通护罩



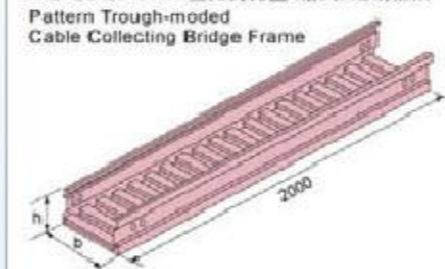
型号 Type	L (mm)		
	I型	II型	III型
WQ/QGQJ-SZ-200-L2 VS			
WQ/QGQJ-SZ-300-L2 VS			
WQ/QGQJ-SZ-400-L2 VS			
WQ/QGQJ-SZ-500-L2 VS	300	450	500
WQ/QGQJ-SZ-600-L2 VS			
WQ/QGQJ-SZ-800-L2 VS			
WQ/QGQJ-SZ-1000-L2 VS			

WQ/QGQJ-SZ VS型电缆桥架垂直弯通护罩



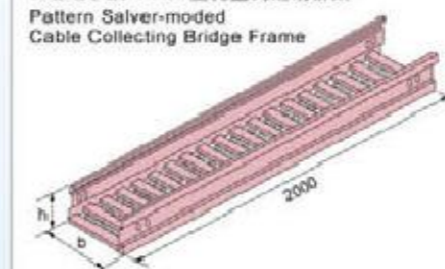
型号 Type	L (mm)		
	I型	II型	III型
WQ/QGQJ-SZ-200-L3 VS			
WQ/QGQJ-SZ-300-L3 VS			
WQ/QGQJ-SZ-400-L3 VS			
WQ/QGQJ-SZ-500-L3 VS	400	550	600
WQ/QGQJ-SZ-600-L3 VS			
WQ/QGQJ-SZ-800-L3 VS			
WQ/QGQJ-SZ-1000-L3 VS			

WQ/QGQJ-CI-01型无孔托盘(槽式)汇线桥架
Pattern Trough-moded
Cable Collecting Bridge Frame



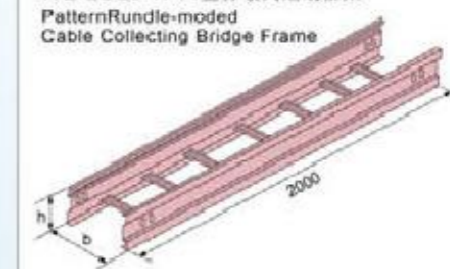
型号 Type	h (mm)	b (mm)	备注 Remarks
WQ/QGQJ-CI-01-102	100	200	单排连孔
WQ/QGQJ-CI-01-103		300	
WQ/QGQJ-CI-01-104		400	
WQ/QGQJ-CI-01-105		500	
WQ/QGQJ-CI-01-106		600	
WQ/QGQJ-CI-01-108		800	
WQ/QGQJ-CI-01-152	150	200	双排连孔
WQ/QGQJ-CI-01-153		300	
WQ/QGQJ-CI-01-154		400	
WQ/QGQJ-CI-01-155		500	
WQ/QGQJ-CI-01-156		600	
WQ/QGQJ-CI-01-158		800	
WQ/QGQJ-CI-01-202	200	200	双排连孔
WQ/QGQJ-CI-01-203		300	
WQ/QGQJ-CI-01-204		400	
WQ/QGQJ-CI-01-205		500	
WQ/QGQJ-CI-01-206		600	
WQ/QGQJ-CI-01-208		800	

WQ/QGQJ-PI-01型托盘式汇线桥架
Pattern Salver-moded
Cable Collecting Bridge Frame



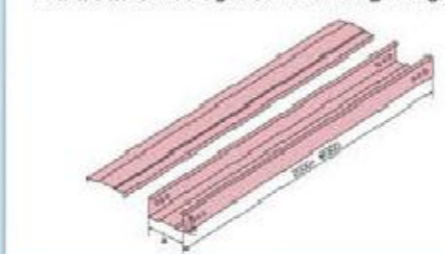
型号 Type	h (mm)	b (mm)	备注 Remarks
WQ/QGQJ-PI-01-102	100	200	单排连孔
WQ/QGQJ-PI-01-103		300	
WQ/QGQJ-PI-01-104		400	
WQ/QGQJ-PI-01-105		500	
WQ/QGQJ-PI-01-106		600	
WQ/QGQJ-PI-01-108		800	
WQ/QGQJ-PI-01-152	150	200	双排连孔
WQ/QGQJ-PI-01-153		300	
WQ/QGQJ-PI-01-154		400	
WQ/QGQJ-PI-01-155		500	
WQ/QGQJ-PI-01-156		600	
WQ/QGQJ-PI-01-158		800	
WQ/QGQJ-PI-01-202	200	200	双排连孔
WQ/QGQJ-PI-01-203		300	
WQ/QGQJ-PI-01-204		400	
WQ/QGQJ-PI-01-205		500	
WQ/QGQJ-PI-01-206		600	
WQ/QGQJ-PI-01-208		800	

WQ/QGQJ-TI-01型梯级式汇线桥架
PatternRundle-moded
Cable Collecting Bridge Frame



型号 Type	h (mm)	b (mm)	备注 Remarks
WQ/QGQJ-TI-01-102	100	200	单排连孔
WQ/QGQJ-TI-01-103		300	
WQ/QGQJ-TI-01-104		400	
WQ/QGQJ-TI-01-105		500	
WQ/QGQJ-TI-01-106		600	
WQ/QGQJ-TI-01-108		800	
WQ/QGQJ-TI-01-152	150	200	双排连孔
WQ/QGQJ-TI-01-153		300	
WQ/QGQJ-TI-01-154		400	
WQ/QGQJ-TI-01-155		500	
WQ/QGQJ-TI-01-156		600	
WQ/QGQJ-TI-01-158		800	
WQ/QGQJ-TI-01-202	200	200	双排连孔
WQ/QGQJ-TI-01-203		300	
WQ/QGQJ-TI-01-204		400	
WQ/QGQJ-TI-01-205		500	
WQ/QGQJ-TI-01-206		600	
WQ/QGQJ-TI-01-208		800	

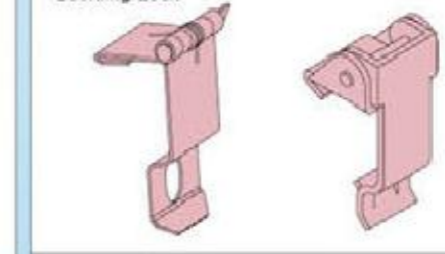
WQ/QGQJ系列-弱电配线槽
WQ/QGQJ Series Light Current Wiring Trough



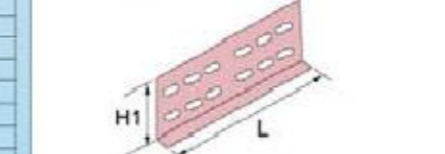
型号 Type	规格 Standard	a×b a×b
-1	50×25	
-2	50×50	
-3	100×50	
-4	100×65	
-5	100×75	
-6	100×100	
-7	120×50	
-8	120×65	
-9	120×75	
-10	120×100	
-11	150×50	
-12	150×65	
-13	150×75	
-14	150×100	
-15	200×100	

注：弯通、三通、四通等非标准过接头选用请参照本样本 29页-32页
Note: Please refer to Page 25-28 for the application of Bended-connection, Tri-connection, Four-connection and so on Non-standard transitive connection.

专用弹簧扣锁、防风扣锁
Buckling Lock

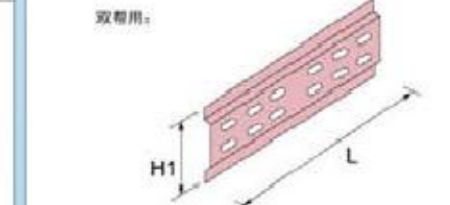
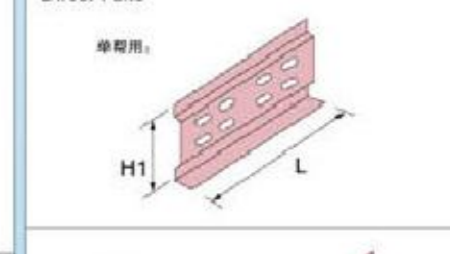


WQ/QGQJ-TPC-02B直接片
Direct Fake



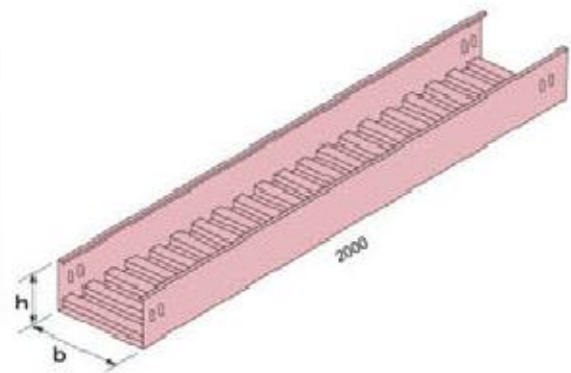
型号 Type	侧边高H (mm)	L (mm)	H1 (mm)
WQ/QGQJ-TPC-02B-50	50	200	35
WQ/QGQJ-TPC-02B-75	75		50
WQ/QGQJ-TPC-02B-100	100		75
WQ/QGQJ-TPC-02B-125	125		100
WQ/QGQJ-TPC-02B-150	150		125
WQ/QGQJ-TPC-02B-200	200		175
WQ/QGQJ-TPC-02B-250	250		225
WQ/QGQJ-TPC-02B-300	300		275

WQ/QGQJ-TPC-02A直接片
Direct Fake



型号 Type	侧边高H (mm)	L (mm)	H1 (mm)
WQ/QGQJ-TPC-02A-50	50	240	35
WQ/QGQJ-TPC-02A-75	75		50
WQ/QGQJ-TPC-02A-100	100		75
WQ/QGQJ-TPC-02A-125	125		100
WQ/QGQJ-TPC-02A-150	150		125
WQ/QGQJ-TPC-02A-200	200		175
WQ/QGQJ-TPC-02A-250	250		225
WQ/QGQJ-TPC-02A-300	300		275

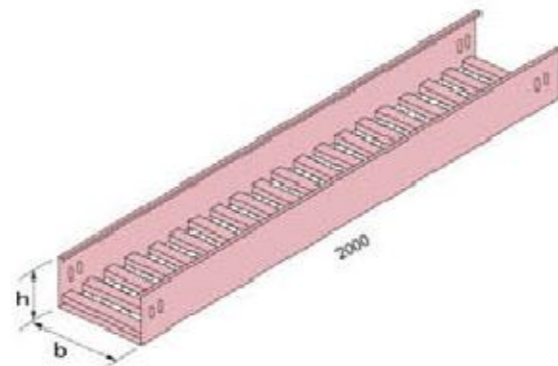
WQ/QGQJ-CI-01型无孔托盘(槽式)汇线桥架
Pattern Trough-moded Cable Collecting Bridge Frame



槽式(平帮)
Trough(Flat Side)

型号 Type	h (mm)	b (mm)	备注 Remarks		
WQ/QGQJ-CI-01-062	60	200	单排连接孔		
WQ/QGQJ-CI-01-063		300			
WQ/QGQJ-CI-01-064		400			
WQ/QGQJ-CI-01-065		500			
WQ/QGQJ-CI-01-066		600			
WQ/QGQJ-CI-01-068		800			
WQ/QGQJ-CI-01-102		100		200	单排连接孔
WQ/QGQJ-CI-01-103				300	
WQ/QGQJ-CI-01-104	400				
WQ/QGQJ-CI-01-105	500				
WQ/QGQJ-CI-01-106	600				
WQ/QGQJ-CI-01-108	800				
WQ/QGQJ-CI-01-152	150		200	双排连接孔	
WQ/QGQJ-CI-01-153			300		
WQ/QGQJ-CI-01-154		400			
WQ/QGQJ-CI-01-155		500			
WQ/QGQJ-CI-01-156		600			
WQ/QGQJ-CI-01-158		800			
WQ/QGQJ-CI-01-202		200	200		双排连接孔
WQ/QGQJ-CI-01-203			300		
WQ/QGQJ-CI-01-204	400				
WQ/QGQJ-CI-01-205	500				
WQ/QGQJ-CI-01-206	600				
WQ/QGQJ-CI-01-208	800				
WQ/QGQJ-CI-01-254	250		400	三排连接孔	
WQ/QGQJ-CI-01-255			500		
WQ/QGQJ-CI-01-256		600			
WQ/QGQJ-CI-01-258		800			
WQ/QGQJ-CI-01-304		300	400		三排连接孔
WQ/QGQJ-CI-01-305			500		
WQ/QGQJ-CI-01-306			600		
WQ/QGQJ-CI-01-308			800		

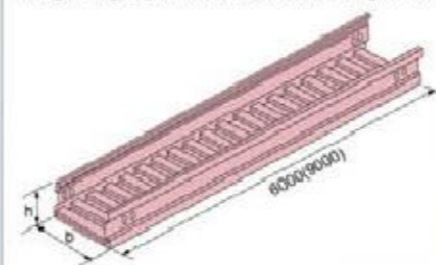
WQ/QGQJ-PI-01型托盘式汇线桥架
Pattern Salver-moded Cable Collecting Bridge Frame



托盘式(平帮)
Salver(Flat Side)

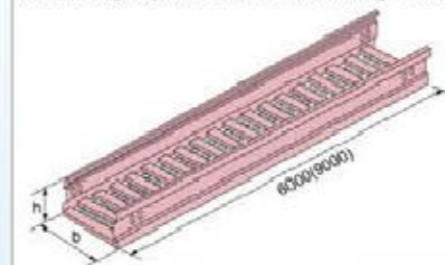
型号 Type	h (mm)	b (mm)	备注 Remarks		
WQ/QGQJ-PI-01-062	60	200	单排连接孔		
WQ/QGQJ-PI-01-063		300			
WQ/QGQJ-PI-01-064		400			
WQ/QGQJ-PI-01-065		500			
WQ/QGQJ-PI-01-066		600			
WQ/QGQJ-PI-01-068		800			
WQ/QGQJ-PI-01-102		100		200	单排连接孔
WQ/QGQJ-PI-01-103				300	
WQ/QGQJ-PI-01-104	400				
WQ/QGQJ-PI-01-105	500				
WQ/QGQJ-PI-01-106	600				
WQ/QGQJ-PI-01-108	800				
WQ/QGQJ-PI-01-152	150		200	双排连接孔	
WQ/QGQJ-PI-01-153			300		
WQ/QGQJ-PI-01-154		400			
WQ/QGQJ-PI-01-155		500			
WQ/QGQJ-PI-01-156		600			
WQ/QGQJ-PI-01-158		800			
WQ/QGQJ-PI-01-202		200	200		双排连接孔
WQ/QGQJ-PI-01-203			300		
WQ/QGQJ-PI-01-204	400				
WQ/QGQJ-PI-01-205	500				
WQ/QGQJ-PI-01-206	600				
WQ/QGQJ-PI-01-208	800				
WQ/QGQJ-PI-01-254	250		400	三排连接孔	
WQ/QGQJ-PI-01-255			500		
WQ/QGQJ-PI-01-256		600			
WQ/QGQJ-PI-01-258		800			
WQ/QGQJ-PI-01-304		300	400		三排连接孔
WQ/QGQJ-PI-01-305			500		
WQ/QGQJ-PI-01-306			600		
WQ/QGQJ-PI-01-308			800		

WQ/QGQJ-DPI-01型槽式大跨距汇线桥架
Trough Large-span Cable Collection Bridge Frame



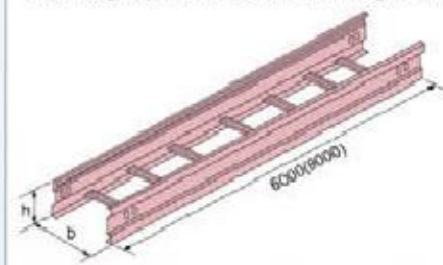
型号 Type	h (mm)	b (mm)	备注 Remarks		
WQ/QGQJ-DPI-01-102	100	200	单排连接孔		
WQ/QGQJ-DPI-01-103		300			
WQ/QGQJ-DPI-01-104		400			
WQ/QGQJ-DPI-01-105		500			
WQ/QGQJ-DPI-01-106		600			
WQ/QGQJ-DPI-01-108		800			
WQ/QGQJ-DPI-01-152		150		200	双排连接孔
WQ/QGQJ-DPI-01-153				300	
WQ/QGQJ-DPI-01-154	400				
WQ/QGQJ-DPI-01-155	500				
WQ/QGQJ-DPI-01-156	600				
WQ/QGQJ-DPI-01-158	800				
WQ/QGQJ-DPI-01-202	200		200	双排连接孔	
WQ/QGQJ-DPI-01-203			300		
WQ/QGQJ-DPI-01-204		400			
WQ/QGQJ-DPI-01-205		500			
WQ/QGQJ-DPI-01-206		600			
WQ/QGQJ-DPI-01-208		800			
WQ/QGQJ-DPI-01-254		250	400		三排连接孔
WQ/QGQJ-DPI-01-255			500		
WQ/QGQJ-DPI-01-256	600				
WQ/QGQJ-DPI-01-258	800				
WQ/QGQJ-DPI-01-304	300		400	三排连接孔	
WQ/QGQJ-DPI-01-305			500		
WQ/QGQJ-DPI-01-306			600		
WQ/QGQJ-DPI-01-308			800		

WQ/QGQJ-DPI-01型托盘式大跨距汇线桥架
Salver Large-span Cable Collection Bridge Frame



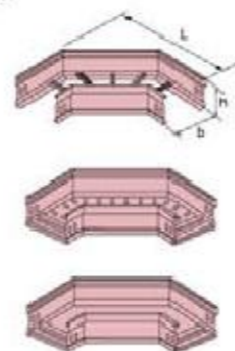
型号 Type	h (mm)	b (mm)	备注 Remarks		
WQ/QGQJ-DPI-01-102	100	200	单排连接孔		
WQ/QGQJ-DPI-01-103		300			
WQ/QGQJ-DPI-01-104		400			
WQ/QGQJ-DPI-01-105		500			
WQ/QGQJ-DPI-01-106		600			
WQ/QGQJ-DPI-01-108		800			
WQ/QGQJ-DPI-01-152		150		200	双排连接孔
WQ/QGQJ-DPI-01-153				300	
WQ/QGQJ-DPI-01-154	400				
WQ/QGQJ-DPI-01-155	500				
WQ/QGQJ-DPI-01-156	600				
WQ/QGQJ-DPI-01-158	800				
WQ/QGQJ-DPI-01-202	200		200	双排连接孔	
WQ/QGQJ-DPI-01-203			300		
WQ/QGQJ-DPI-01-204		400			
WQ/QGQJ-DPI-01-205		500			
WQ/QGQJ-DPI-01-206		600			
WQ/QGQJ-DPI-01-208		800			
WQ/QGQJ-DPI-01-254		250	400		三排连接孔
WQ/QGQJ-DPI-01-255			500		
WQ/QGQJ-DPI-01-256	600				
WQ/QGQJ-DPI-01-258	800				
WQ/QGQJ-DPI-01-304	300		400	三排连接孔	
WQ/QGQJ-DPI-01-305			500		
WQ/QGQJ-DPI-01-306			600		
WQ/QGQJ-DPI-01-308			800		

WQ/QGQJ-DTI-01型梯级式大跨距汇线桥架
Stair Large-span Cable Collection Bridge Frame

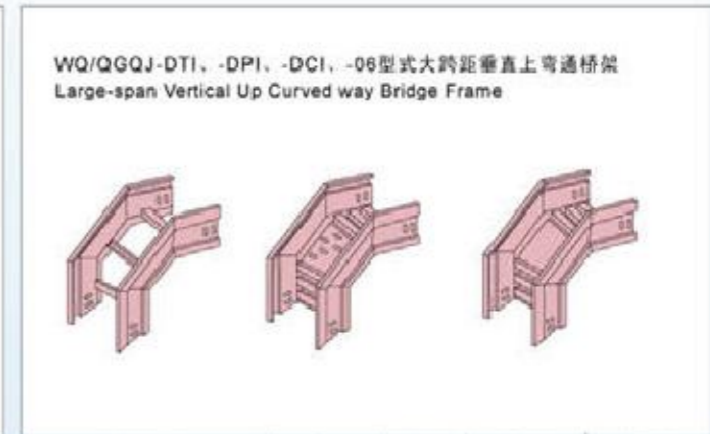
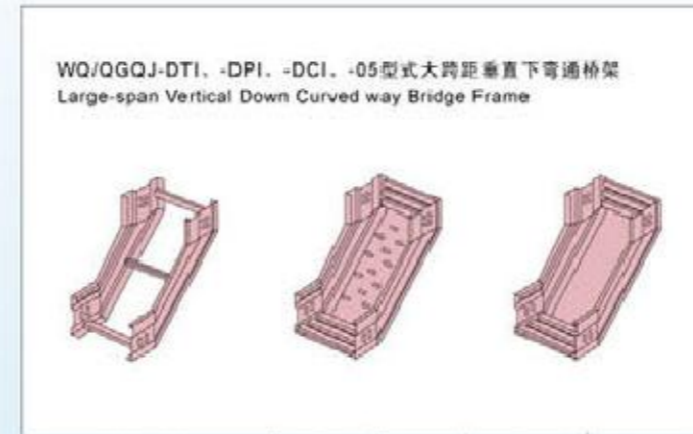
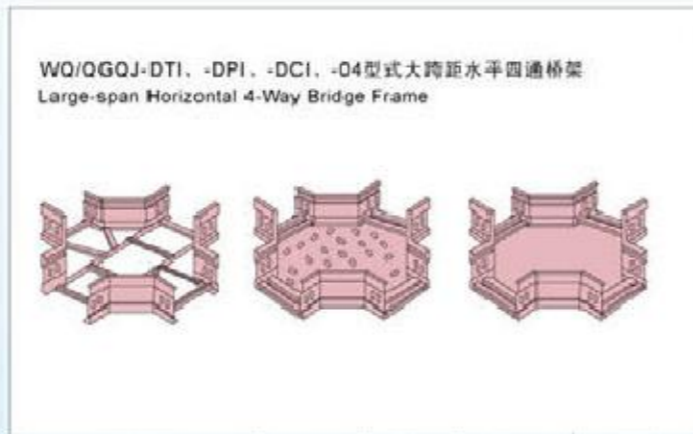
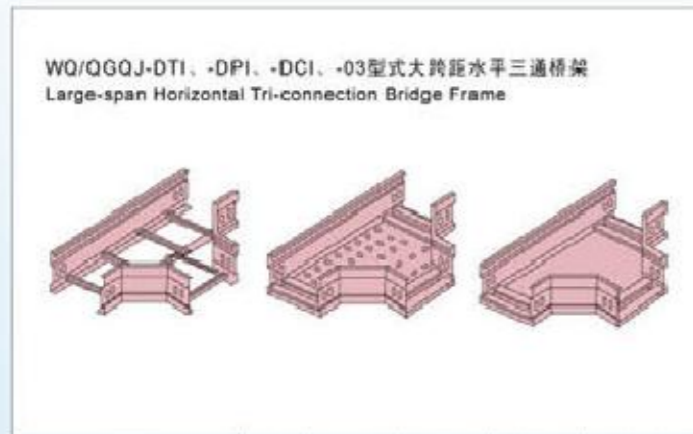


型号 Type	h (mm)	b (mm)	备注 Remarks		
WQ/QGQJ-DTI-01-102	100	200	单排连接孔		
WQ/QGQJ-DTI-01-103		300			
WQ/QGQJ-DTI-01-104		400			
WQ/QGQJ-DTI-01-105		500			
WQ/QGQJ-DTI-01-106		600			
WQ/QGQJ-DTI-01-108		800			
WQ/QGQJ-DTI-01-152		150		200	双排连接孔
WQ/QGQJ-DTI-01-153				300	
WQ/QGQJ-DTI-01-154	400				
WQ/QGQJ-DTI-01-155	500				
WQ/QGQJ-DTI-01-156	600				
WQ/QGQJ-DTI-01-158	800				
WQ/QGQJ-DTI-01-202	200		200	双排连接孔	
WQ/QGQJ-DTI-01-203			300		
WQ/QGQJ-DTI-01-204		400			
WQ/QGQJ-DTI-01-205		500			
WQ/QGQJ-DTI-01-206		600			
WQ/QGQJ-DTI-01-208		800			
WQ/QGQJ-DTI-01-254		250	400		三排连接孔
WQ/QGQJ-DTI-01-255			500		
WQ/QGQJ-DTI-01-256	600				
WQ/QGQJ-DTI-01-258	800				
WQ/QGQJ-DTI-01-304	300		400	三排连接孔	
WQ/QGQJ-DTI-01-305			500		
WQ/QGQJ-DTI-01-306			600		
WQ/QGQJ-DTI-01-308			800		

WQ/QGQJ-TI, -PI, -CI, -02型式
水平弯通桥架
Large-span Horizontal Bend Bridge Frame



型号 Type	h (mm)	b (mm)	L (mm)	备注 Remarks			
WQ/QGQJ-TI-02	100	-102	200 500	单排连接孔			
		-103	300 600				
		-104	400 700				
		-105	500 800				
		-106	600 900				
		-108	800 1100				
		WQ/QGQJ-PI-02	150		-152	200 500	双排连接孔
					-153	300 600	
-154	400 700						
-155	500 800						
-156	600 900						
-158	800 1100						
WQ/QGQJ-CI-02	200			-202	200 500	双排连接孔	
				-203	300 600		
		-204	400 700				
		-205	500 800				
		-206	600 900				
		-208	800 1100				



型号 Type	h (mm)	B (mm)	L1 (mm)	L2 (mm)	备注 Remarks
WQ/QGQJ-DTI-03	-102	100	200	800	单排连接孔
	-103		300	900	
	-104		400	1000	
	-105		500	1100	
	-106		600	1200	
	-108		800	1400	
WQ/QGQJ-DPI-03	-152	150	200	800	双排连接孔
	-153		300	900	
	-154		400	1000	
WQ/QGQJ-DCI-03	-155	200	500	1100	双排连接孔
	-156		600	1200	
WQ/QGQJ-DTI-04	-158	100	800	1400	单排连接孔
	-202		200	800	
	-203		300	900	
	-204		400	1000	
	-205		500	1100	
	-206		600	1200	
	-207		800	1400	
	-208		1000	1600	
WQ/QGQJ-DPI-04	-254	150	400	1000	双排连接孔
	-255		500	1100	
	-256		600	1200	
	-258		800	1400	
	-304		400	1000	
	-305		500	1100	
WQ/QGQJ-DCI-04	-306	200	600	1200	双排连接孔
	-308		800	1400	
	-202		200	800	
	-203		300	900	
WQ/QGQJ-DTI-05	-254	250	400	1000	三排连接孔
	-255		500	1100	
	-256		600	1200	
	-258		800	1400	
	-304		400	1000	
	-305		500	1100	
	-306		600	1200	
	-308		800	1400	

型号 Type	h (mm)	B (mm)	L1 (mm)	备注 Remarks
WQ/QGQJ-DTI-05	-102	100	200	单排连接孔
	-103		300	
	-104		400	
	-105		500	
	-106		600	
	-108		800	
WQ/QGQJ-DPI-05	-152	150	200	双排连接孔
	-153		300	
	-154		400	
WQ/QGQJ-DCI-05	-155	200	500	双排连接孔
	-156		600	
WQ/QGQJ-DTI-06	-158	100	800	单排连接孔
	-202		200	
	-203		300	
	-204		400	
	-205		500	
	-206		600	
	-207		800	
	-208		1000	
WQ/QGQJ-DPI-06	-254	150	400	双排连接孔
	-255		500	
	-256		600	
	-258		800	
	-304		400	
	-305		500	
WQ/QGQJ-DCI-06	-306	200	600	双排连接孔
	-308		800	
	-202		200	
	-203		300	
WQ/QGQJ-DTI-06	-254	250	400	三排连接孔
	-255		500	
	-256		600	
	-258		800	
	-304		400	
	-305		500	
	-306		600	
	-308		800	

型号 Type	h (mm)	B (mm)	L1 (mm)	备注 Remarks
WQ/QGQJ-DTI-05	-102	100	200	单排连接孔
	-103		300	
	-104		400	
	-105		500	
	-106		600	
	-108		800	
WQ/QGQJ-DPI-05	-152	150	200	双排连接孔
	-153		300	
	-154		400	
WQ/QGQJ-DCI-05	-155	200	500	双排连接孔
	-156		600	
WQ/QGQJ-DTI-06	-158	100	800	单排连接孔
	-202		200	
	-203		300	
	-204		400	
	-205		500	
	-206		600	
	-207		800	
	-208		1000	
WQ/QGQJ-DPI-06	-254	150	400	双排连接孔
	-255		500	
	-256		600	
	-258		800	
	-304		400	
	-305		500	
WQ/QGQJ-DCI-06	-306	200	600	双排连接孔
	-308		800	
	-202		200	
	-203		300	
WQ/QGQJ-DTI-06	-254	250	400	三排连接孔
	-255		500	
	-256		600	
	-258		800	
	-304		400	
	-305		500	
	-306		600	
	-308		800	

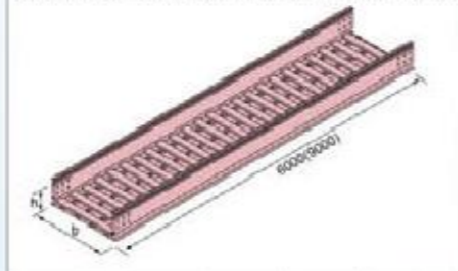
型号 Type	h (mm)	B (mm)	L1 (mm)	备注 Remarks
WQ/QGQJ-DTI-06	-102	100	200	单排连接孔
	-103		300	
	-104		400	
	-105		500	
	-106		600	
	-108		800	
WQ/QGQJ-DPI-06	-152	150	200	双排连接孔
	-153		300	
	-154		400	
WQ/QGQJ-DCI-06	-155	200	500	双排连接孔
	-156		600	
WQ/QGQJ-DTI-06	-158	100	800	单排连接孔
	-202		200	
	-203		300	
	-204		400	
	-205		500	
	-206		600	
	-207		800	
	-208		1000	
WQ/QGQJ-DPI-06	-254	150	400	双排连接孔
	-255		500	
	-256		600	
	-258		800	
	-304		400	
	-305		500	
WQ/QGQJ-DCI-06	-306	200	600	双排连接孔
	-308		800	
	-202		200	
	-203		300	
WQ/QGQJ-DTI-06	-254	250	400	三排连接孔
	-255		500	
	-256		600	
	-258		800	
	-304		400	
	-305		500	
	-306		600	
	-308		800	

WQ/QGQJ-DC2-01型槽式大跨距汇线双边桥梁
Trough Large-span Cable Collection Bridge Frame



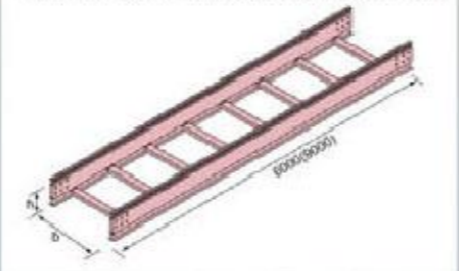
型号 Type	h (mm)	b (mm)	备注 Remarks		
WQ/QGQJ-DC2-01-102	100	200	单排连接孔		
WQ/QGQJ-DC2-01-103		300			
WQ/QGQJ-DC2-01-104		400			
WQ/QGQJ-DC2-01-105		500			
WQ/QGQJ-DC2-01-106		600			
WQ/QGQJ-DC2-01-108		800			
WQ/QGQJ-DC2-01-152		150		200	双排连接孔
WQ/QGQJ-DC2-01-153				300	
WQ/QGQJ-DC2-01-154	400				
WQ/QGQJ-DC2-01-155	500				
WQ/QGQJ-DC2-01-156	600				
WQ/QGQJ-DC2-01-158	800				
WQ/QGQJ-DC2-01-202	200		200	双排连接孔	
WQ/QGQJ-DC2-01-203			300		
WQ/QGQJ-DC2-01-204		400			
WQ/QGQJ-DC2-01-205		500			
WQ/QGQJ-DC2-01-206		600			
WQ/QGQJ-DC2-01-208		800			
WQ/QGQJ-DC2-01-254		250	400		三排连接孔
WQ/QGQJ-DC2-01-255			500		
WQ/QGQJ-DC2-01-256	600				
WQ/QGQJ-DC2-01-258	800				
WQ/QGQJ-DC2-01-304	300		400	三排连接孔	
WQ/QGQJ-DC2-01-305			500		
WQ/QGQJ-DC2-01-306			600		
WQ/QGQJ-DC2-01-308			800		

WQ/QGQJ-DP2-01型托盘式大跨距汇线双边桥梁
Salver Large-span Cable Collection Bridge Frame



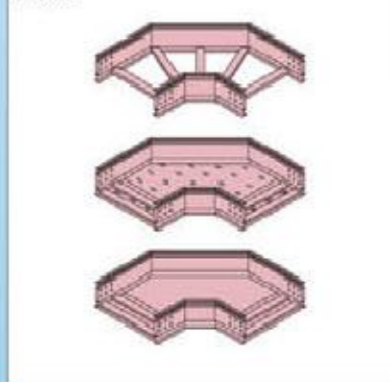
型号 Type	h (mm)	b (mm)	备注 Remarks		
WQ/QGQJ-DP2-01-102	100	200	单排连接孔		
WQ/QGQJ-DP2-01-103		300			
WQ/QGQJ-DP2-01-104		400			
WQ/QGQJ-DP2-01-105		500			
WQ/QGQJ-DP2-01-106		600			
WQ/QGQJ-DP2-01-108		800			
WQ/QGQJ-DP2-01-152		150		200	双排连接孔
WQ/QGQJ-DP2-01-153				300	
WQ/QGQJ-DP2-01-154	400				
WQ/QGQJ-DP2-01-155	500				
WQ/QGQJ-DP2-01-156	600				
WQ/QGQJ-DP2-01-158	800				
WQ/QGQJ-DP2-01-202	200		200	双排连接孔	
WQ/QGQJ-DP2-01-203			300		
WQ/QGQJ-DP2-01-204		400			
WQ/QGQJ-DP2-01-205		500			
WQ/QGQJ-DP2-01-206		600			
WQ/QGQJ-DP2-01-208		800			
WQ/QGQJ-DP2-01-254		250	400		三排连接孔
WQ/QGQJ-DP2-01-255			500		
WQ/QGQJ-DP2-01-256	600				
WQ/QGQJ-DP2-01-258	800				
WQ/QGQJ-DP2-01-304	300		400	三排连接孔	
WQ/QGQJ-DP2-01-305			500		
WQ/QGQJ-DP2-01-306			600		
WQ/QGQJ-DP2-01-308			800		

WQ/QGQJ-DT2-01型梯级式大跨距汇线双边桥梁
Stair Large-span Cable Collection Bridge Frame



型号 Type	h (mm)	b (mm)	备注 Remarks		
WQ/QGQJ-DT2-01-102	100	200	单排连接孔		
WQ/QGQJ-DT2-01-103		300			
WQ/QGQJ-DT2-01-104		400			
WQ/QGQJ-DT2-01-105		500			
WQ/QGQJ-DT2-01-106		600			
WQ/QGQJ-DT2-01-108		800			
WQ/QGQJ-DT2-01-152		150		200	双排连接孔
WQ/QGQJ-DT2-01-153				300	
WQ/QGQJ-DT2-01-154	400				
WQ/QGQJ-DT2-01-155	500				
WQ/QGQJ-DT2-01-156	600				
WQ/QGQJ-DT2-01-158	800				
WQ/QGQJ-DT2-01-202	200		200	双排连接孔	
WQ/QGQJ-DT2-01-203			300		
WQ/QGQJ-DT2-01-204		400			
WQ/QGQJ-DT2-01-205		500			
WQ/QGQJ-DT2-01-206		600			
WQ/QGQJ-DT2-01-208		800			
WQ/QGQJ-DT2-01-254		250	400		三排连接孔
WQ/QGQJ-DT2-01-255			500		
WQ/QGQJ-DT2-01-256	600				
WQ/QGQJ-DT2-01-258	800				
WQ/QGQJ-DT2-01-304	300		400	三排连接孔	
WQ/QGQJ-DT2-01-305			500		
WQ/QGQJ-DT2-01-306			600		
WQ/QGQJ-DT2-01-308			800		

WQ/QGQJ-DT2、DP2、DC2-02型水平弯通双边桥梁
Large-span Horizontal Bend Bridge Frame



型号 Type	h (mm)	b (mm)	L (mm)	备注 Remarks			
WQ/QGQJ-DT2-02	100	200	500	单排连接孔			
		300	600				
		400	700				
		500	800				
		600	900				
		800	1100				
		WQ/QGQJ-DP2-02	150		200	500	双排连接孔
					300	600	
400	700						
500	800						
600	900						
800	1100						
WQ/QGQJ-DC2-02	200			200	500	双排连接孔	
				300	600		
		400	700				
		500	800				
		600	900				
		800	1100				
		WQ/QGQJ-DT2-02	250	254	400		三排连接孔
				255	500		
256	600						
258	800						
304	400						
305	500						
306	600						
308	800						

WQ/QGQJ-DT2、-DP2、-DC2-03型大跨距水平三通双边桥梁
Large-span Horizontal Tri-connection Bridge Frame



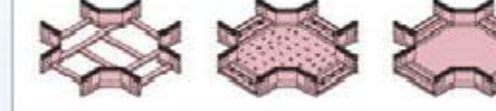
型号 Type	h (mm)	B (mm)	L1 (mm)	L2 (mm)	备注 Remarks	
WQ/QGQJ-DT2-03	100	200	800	500	单排连接孔	
		300	900	600		
		400	1000	700		
		500	1100	800		
		600	1200	900		
		800	1400	1100		
		200	800	500		双排连接孔
		300	900	600		
		400	1000	700		
		500	1100	800		
600	1200	900				
800	1400	1100				
200	400	1000	三排连接孔			
300	500	1100				
400	600	1200				
500	700	1300				
600	800	1400				
800	1000	1600				
400	1000	800		三排连接孔		
500	1100	900				
600	1200	1000				
800	1400	1200				
254	400	1000	三排连接孔			
255	500	1100				
256	600	1200				
258	800	1400				
304	400	1000				
305	500	1100				
306	600	1200				
308	800	1400				

WQ/QGQJ-DT2、-DP2、-DC2、-05型大跨距垂直弯通双边桥梁
Large-span Vertical Down Curved way Bridge Frame



型号 Type	h (mm)	B (mm)	L1 (mm)	备注 Remarks				
WQ/QGQJ-DT2-05	100	200	300	单排连接孔				
		300						
		400						
		500						
		600						
		800						
		WQ/QGQJ-DP2-05			150	200	400	双排连接孔
						300		
400								
500								
600								
800								
WQ/QGQJ-DC2-05	200		200	550		双排连接孔		
			300					
		400						
		500						
		600						
		800						
		250	400		750		三排连接孔	
			500					
	600							
	800							
	400		900	三排连接孔				
	500							
	600							
	800							

WQ/QGQJ-DT2、-DP2、-DC2-04型大跨距水平四通双边桥梁
Large-span Horizontal 4-Way Bridge Frame



型号 Type	h (mm)	B (mm)	L1 (mm)	备注 Remarks			
WQ/QGQJ-DT2-04	100	200	600	单排连接孔			
		300	900				
		400	1000				
		500	1100				
		600	1200				
		800	1400				
		WQ/QGQJ-DP2-04	150		200	800	双排连接孔
					300	900	
400	1000						
500	1100						
600	1200						
800	1400						
WQ/QGQJ-DC2-04	200			200	800	双排连接孔	
				300	900		
		400	1000				
		500	1100				
		600	1200				
		800	1600				
		250	400	1000	三排连接孔		
			500	1100			
	600		1200				
	800		1600				
	400		1000	三排连接孔			
	500		1100				
	600		1200				
	800		1600				

WQ/QGQJ-DT2、-DP2、-DC2、-06型大跨距垂直弯通上可通双边桥梁
Large-span Vertical Up-Curved way Bridge Frame



型号 Type	h (mm)	B (mm)	L1 (mm)	备注 Remarks				
WQ/QGQJ-DT2-06	100	200	300	单排连接孔				
		300						
		400						
		500						
		600						
		800						
		WQ/QGQJ-DP2-06			150	200	400	双排连接孔
						300		
400								
500								
600								
800								
WQ/QGQJ-DC2-06	200		200	550		双排连接孔		
			300					
		400						
		500						
		600						
		800						
		250	400		750		三排连接孔	
			500					
	600							
	800							
	400		900	三排连接孔				
	500							
	600							
	800							

隆重推出—绿色环保产品

高耐腐不锈钢节能轻质高强电缆桥架腐蚀无忧

具有黑色金属之王的1Cr18Ni9Ti或304系列高耐蚀不锈钢能适用于各种化工腐蚀介质，不但可直接用于化工的管道、容器和阀门，更能适用于化工企业的酸、碱型大气重腐蚀介质，采用高耐蚀不锈钢材料生产的节能型轻质电缆桥架可在极其重腐蚀的环境下其使用寿命确保在在五十年以上，是其它任何材料桥架产品所无法替代的。

由于不锈钢板具有很高的强度，制作桥架采用通过科技创新的凹凸瓦楞专利轻钢结构，使产品强度大幅度提高，重量从而降低，突破原本的材料造价，使产品变得经济而实用，物美价廉，给用户享受以更大的实惠。

过去很多酸碱重腐蚀环境选用的电镀锌、喷塑、热镀锌可以讲是劳民伤财、浪费投资，所以只得选用复合型环氧树脂桥架产品，而其与高耐蚀不锈钢节能型轻质电缆桥架相比：

1、不锈钢是无机金属材料，不存在老化、龟裂。虽然表面会氧化褪色，但绝不影响产品的使用性能，而环氧树脂玻璃钢桥架最大的弊端是老化。

2、不锈钢板材料本身就具备高防腐性能，而复合桥架是靠环氧树脂对桥架本体钢板的封闭从而达到防腐性能，由于环氧树脂与钢结构粘接工艺难度大，难免出现结合力差，在热胀系数不等以及化工腐蚀介质的作用下，可能出现脱层的现象。

3、虽高耐蚀不锈钢节能型轻质高强桥架材料成本较高，由于产品采用了科技创新的专利结构，其工程造价经计算只比复合型桥架高20%左右，一劳永逸的使用寿命是任何复合型桥架无法比拟的，具有较高的实用价值和经济价值。

4、高耐蚀不锈钢节能型轻质电缆桥架是绿色环保型产品，材料本身可回收利用，不存在污染，且设备残值占设备原值的40%；而复合型环氧树脂桥架不易回收，目前尚未有降解回收的办法，今后回收成本相对较高。随着人们环保意识增强，用于产品回收的环保费用将会越来越高。另因为桥架表面处理的电镀、喷涂、热浸锌对环境所造成的污染更是弊多利少，为了我们的生存空间，综合利弊，我们坚信高耐蚀不锈钢节能型轻质高强桥架必将成为今后所有化工重腐蚀企业的必选产品。

Highly recommended—Green Environment-protecting Product

No concern for the erosion of High Anti-erosion Stainless Steel Energy-saving Light Cable Bridge Frame

With the title of "King of black metal", 1Cr18Ni9Ti or 304 Series High Anti-erosion Stainless Steel fit for all kinds of chemical erosive medium, it can be used directly in chemical pipeline, container and valve, and also can be well used in the medium heavily eroded by acid & alkali atmosphere. Energy-saving Light Cable Bridge Frame made of High Anti-erosion Stainless Steel material is expected to use more than 50 years in heavily eroded environment, can't be substituted by the bridge frame product made of other material.

Stainless steel board has a high intensity, we use patented concave tile light steel to produce bridge frame, making it much enhanced in intensity and lightened in weight, also making it more economical.

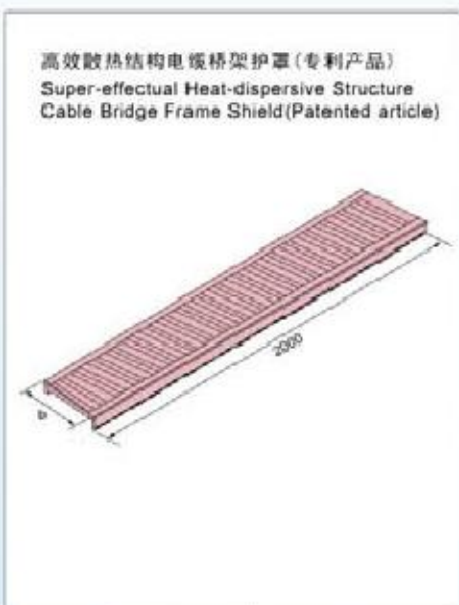
In the past, people use zinc electroplating, plastic spray coating, zinc heat plating, it's a waste of money and energy, so they choose composite ethoxyline bridge frame product, being compared with High Anti-erosion Stainless Steel Energy-saving Light Cable Bridge Frame as follows:

1、Stainless Steel is abio-metal material, can never be aged or splitted. The surface can be oxidated and faded, but this can never affect the product performance. The fatal defect of ethoxyline Class Steel Bridge Frame is aging.

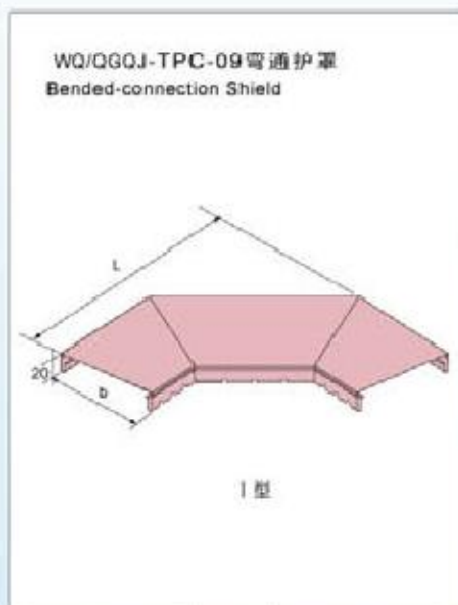
2、Stainless steel board material has high antiseptic capability itself, but antiseptis effect of composite bridge frame is achieved by the occlusion of ethoxyline to bridge frame steel plate. Because the felting between ethoxyline and steel material is hard to achieve, if combining force is weak, the phenomenon of layer-peeling often occurs when effected by heat or chemical erosion.

3、Though the cost of the material of High Anti-erosion Stainless Steel Energy-saving Light Cable Bridge Frame is high, its construction cost is only 20% higher than that of composite bridge frame. The value of its long life-span benefits users so much.

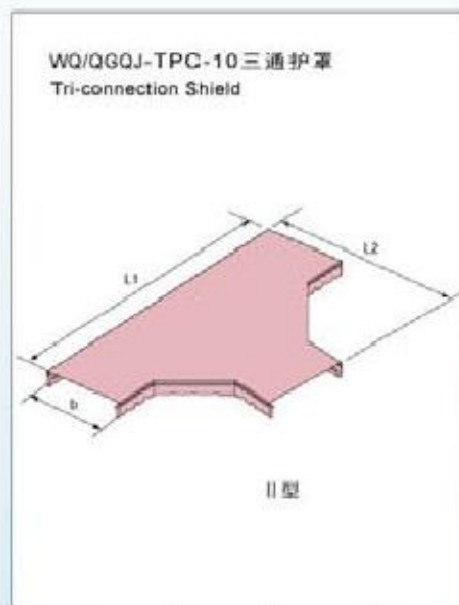
4、The High Anti-erosion Stainless Steel Energy-saving Light Cable Bridge Frame is a green environment-protecting product that is non-pollutive and can be reutilized. There's no solution to reutilized composite ethoxyline bridge frame at present, even there'll be solutions in future, the cost will be comparely high. As people's environment-protecting consciousness increasing, the cost of environment-protection for recirculation will be more and more expensive, plus electroplating, spray coating on the surface of bridge frame is pollusive to environment, so for our living world, we believe that High Anti-erosion Stainless Steel Energy-saving Light Cable Bridge Frame is a imperative choose.



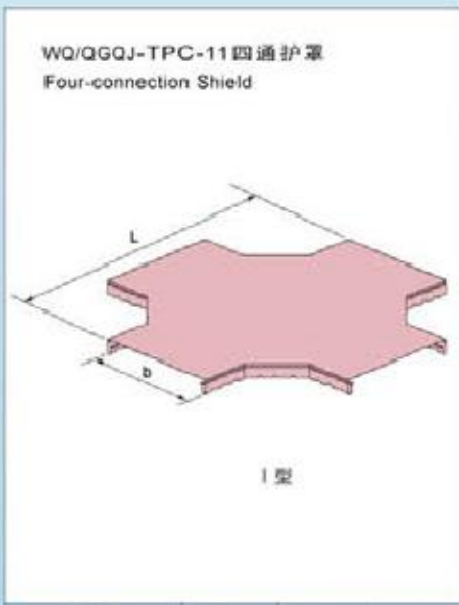
型号 Type	B (mm)
WQ/QGQJ-SZ-01-2	200
WQ/QGQJ-SZ-01-3	300
WQ/QGQJ-SZ-01-4	400
WQ/QGQJ-SZ-01-5	500
WQ/QGQJ-SZ-01-6	600
WQ/QGQJ-SZ-01-8	800
WQ/QGQJ-SZ-01-9	900
WQ/QGQJ-SZ-01-10	1000



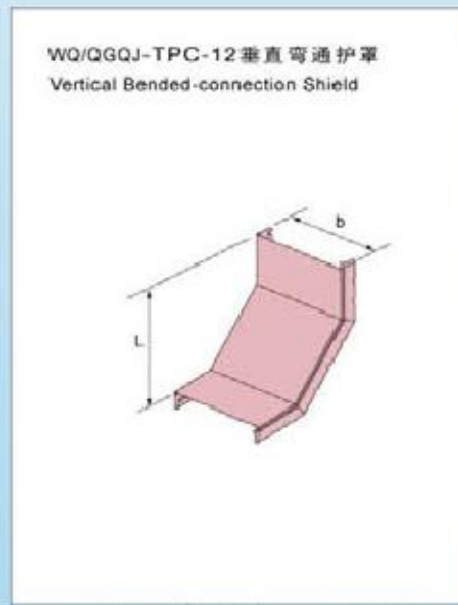
型号 Type	B (mm)	L (mm)	
		I型	II型
WQ/QGQJ-SZ-02-2	200	600	700
WQ/QGQJ-SZ-02-3	300	700	800
WQ/QGQJ-SZ-02-4	400	800	900
WQ/QGQJ-SZ-02-5	500	900	1000
WQ/QGQJ-SZ-02-6	600	1000	1100
WQ/QGQJ-SZ-02-8	800	1200	1300
WQ/QGQJ-SZ-02-9	900	1300	1400
WQ/QGQJ-SZ-02-10	1000	1400	1500



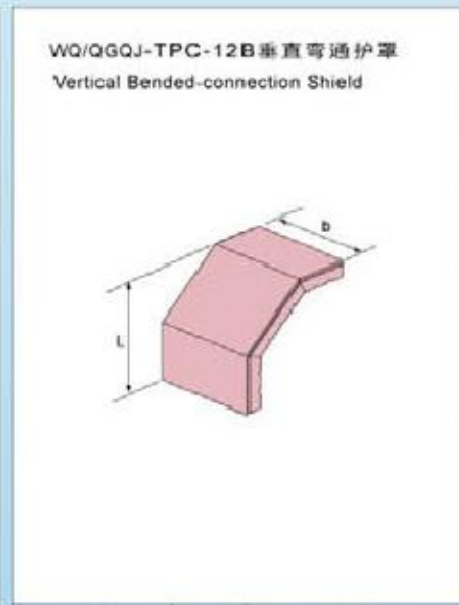
型号 Type	B (mm)	L1 (mm)	L2 (mm)
WQ/QGQJ-SZ-03-3	300	1300	800
WQ/QGQJ-SZ-03-4	400	1400	900
WQ/QGQJ-SZ-03-5	500	1500	1000
WQ/QGQJ-SZ-03-6	600	1600	1200
WQ/QGQJ-SZ-03-8	800	1800	1300
WQ/QGQJ-SZ-03-9	900	1900	1400
WQ/QGQJ-SZ-03-10	1000	2000	1500



型号 Type	B (mm)	L (mm)		
		I型	II型	III型
WQ/QGQJ-SZ-04-2	200	1000	1200	
WQ/QGQJ-SZ-04-3	300	1100	1300	
WQ/QGQJ-SZ-04-4	400	1200	1400	
WQ/QGQJ-SZ-04-5	500	1300	1500	
WQ/QGQJ-SZ-04-6	600	1400	1600	
WQ/QGQJ-SZ-04-8	800	1600	1800	
WQ/QGQJ-SZ-04-9	900	1700	1900	
WQ/QGQJ-SZ-04-10	1000	1800	2000	



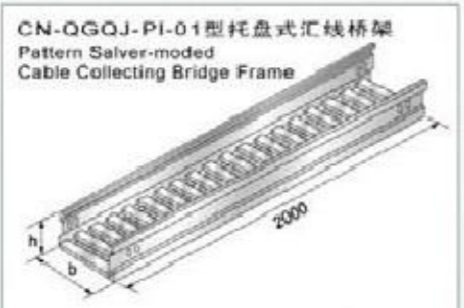
型号 Type	B (mm)	L (mm)		
		I型	II型	III型
WQ/QGQJ-SZ-5A-2	200			
WQ/QGQJ-SZ-5A-3	300			
WQ/QGQJ-SZ-5A-4	400			
WQ/QGQJ-SZ-5A-5	500			
WQ/QGQJ-SZ-5A-6	600			
WQ/QGQJ-SZ-5A-8	800			
WQ/QGQJ-SZ-5A-9	900			
WQ/QGQJ-SZ-5A-10	1000			



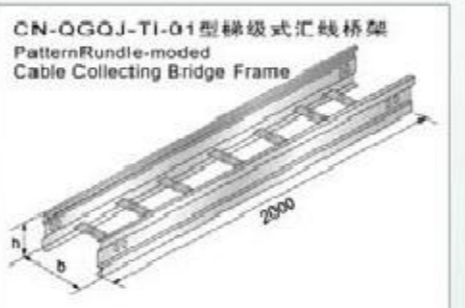
型号 Type	B (mm)	L (mm)		
		I型	II型	III型
WQ/QGQJ-SZ-5B-2	200			
WQ/QGQJ-SZ-5B-3	300			
WQ/QGQJ-SZ-5B-4	400			
WQ/QGQJ-SZ-5B-5	500			
WQ/QGQJ-SZ-5B-6	600			
WQ/QGQJ-SZ-5B-8	800			
WQ/QGQJ-SZ-5B-9	900			
WQ/QGQJ-SZ-5B-10	1000			



型号 Type	h (mm)	b (mm)	备注 Remarks
CN-QGQJ-CI-01-102	100	200	单排 连接 孔
CN-QGQJ-CI-01-103		300	
CN-QGQJ-CI-01-104		400	
CN-QGQJ-CI-01-105		500	
CN-QGQJ-CI-01-106		600	
CN-QGQJ-CI-01-108		800	
CN-QGQJ-CI-01-152	150	200	双排 连接 孔
CN-QGQJ-CI-01-153		300	
CN-QGQJ-CI-01-154		400	
CN-QGQJ-CI-01-155		500	
CN-QGQJ-CI-01-156		600	
CN-QGQJ-CI-01-158		800	
CN-QGQJ-CI-01-202	200	200	双排 连接 孔
CN-QGQJ-CI-01-203		300	
CN-QGQJ-CI-01-204		400	
CN-QGQJ-CI-01-205		500	
CN-QGQJ-CI-01-206		600	
CN-QGQJ-CI-01-208		800	



型号 Type	h (mm)	b (mm)	备注 Remarks
CN-QGQJ-PI-01-102	100	200	单排 连接 孔
CN-QGQJ-PI-01-103		300	
CN-QGQJ-PI-01-104		400	
CN-QGQJ-PI-01-105		500	
CN-QGQJ-PI-01-106		600	
CN-QGQJ-PI-01-108		800	
CN-QGQJ-PI-01-152	150	200	双排 连接 孔
CN-QGQJ-PI-01-153		300	
CN-QGQJ-PI-01-154		400	
CN-QGQJ-PI-01-155		500	
CN-QGQJ-PI-01-156		600	
CN-QGQJ-PI-01-158		800	
CN-QGQJ-PI-01-202	200	200	双排 连接 孔
CN-QGQJ-PI-01-203		300	
CN-QGQJ-PI-01-204		400	
CN-QGQJ-PI-01-205		500	
CN-QGQJ-PI-01-206		600	
CN-QGQJ-PI-01-208		800	



型号 Type	h (mm)	b (mm)	备注 Remarks
CN-QGQJ-TI-01-102	100	200	单排 连接 孔
CN-QGQJ-TI-01-103		300	
CN-QGQJ-TI-01-104		400	
CN-QGQJ-TI-01-105		500	
CN-QGQJ-TI-01-106		600	
CN-QGQJ-TI-01-108		800	
CN-QGQJ-TI-01-152	150	200	双排 连接 孔
CN-QGQJ-TI-01-153		300	
CN-QGQJ-TI-01-154		400	
CN-QGQJ-TI-01-155		500	
CN-QGQJ-TI-01-156		600	
CN-QGQJ-TI-01-158		800	
CN-QGQJ-TI-01-202	200	200	双排 连接 孔
CN-QGQJ-TI-01-203		300	
CN-QGQJ-TI-01-204		400	
CN-QGQJ-TI-01-205		500	
CN-QGQJ-TI-01-206		600	
CN-QGQJ-TI-01-208		800	



槽式(平帮)
Trough(Flat Side)

型号 Type	h (mm)	b (mm)	备注 Remarks
CN-QGQJ-CI-01-062	60	200	单排 连接 孔
CN-QGQJ-CI-01-063		300	
CN-QGQJ-CI-01-064		400	
CN-QGQJ-CI-01-065		500	
CN-QGQJ-CI-01-066		600	
CN-QGQJ-CI-01-068		800	
CN-QGQJ-CI-01-102	100	200	单排 连接 孔
CN-QGQJ-CI-01-103		300	
CN-QGQJ-CI-01-104		400	
CN-QGQJ-CI-01-105		500	
CN-QGQJ-CI-01-106		600	
CN-QGQJ-CI-01-108		800	
CN-QGQJ-CI-01-152	150	200	双排 连接 孔
CN-QGQJ-CI-01-153		300	
CN-QGQJ-CI-01-154		400	
CN-QGQJ-CI-01-155		500	
CN-QGQJ-CI-01-156		600	
CN-QGQJ-CI-01-158		800	
CN-QGQJ-CI-01-202	200	200	双排 连接 孔
CN-QGQJ-CI-01-203		300	
CN-QGQJ-CI-01-204		400	
CN-QGQJ-CI-01-205		500	
CN-QGQJ-CI-01-206		600	
CN-QGQJ-CI-01-208		800	

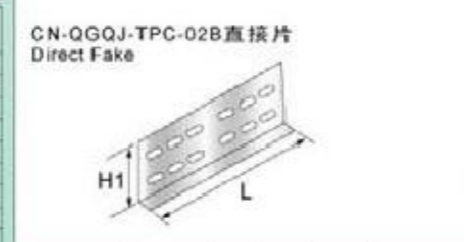


托盘式(平帮)
Salver(Flat Side)

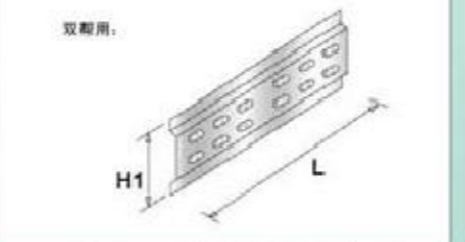
型号 Type	h (mm)	b (mm)	备注 Remarks
CN-QGQJ-PI-01-062	60	200	单排 连接 孔
CN-QGQJ-PI-01-063		300	
CN-QGQJ-PI-01-064		400	
CN-QGQJ-PI-01-065		500	
CN-QGQJ-PI-01-066		600	
CN-QGQJ-PI-01-068		800	
CN-QGQJ-PI-01-102	100	200	单排 连接 孔
CN-QGQJ-PI-01-103		300	
CN-QGQJ-PI-01-104		400	
CN-QGQJ-PI-01-105		500	
CN-QGQJ-PI-01-106		600	
CN-QGQJ-PI-01-108		800	
CN-QGQJ-PI-01-152	150	200	双排 连接 孔
CN-QGQJ-PI-01-153		300	
CN-QGQJ-PI-01-154		400	
CN-QGQJ-PI-01-155		500	
CN-QGQJ-PI-01-156		600	
CN-QGQJ-PI-01-158		800	
CN-QGQJ-PI-01-202	200	200	双排 连接 孔
CN-QGQJ-PI-01-203		300	
CN-QGQJ-PI-01-204		400	
CN-QGQJ-PI-01-205		500	
CN-QGQJ-PI-01-206		600	
CN-QGQJ-PI-01-208		800	



型号 Type	规格 Standard	a×b a×b
-1	50×25	
-2	50×50	
-3	100×50	
-4	100×65	
-5	100×75	
-6	100×100	
-7	120×50	
-8	120×65	
-9	120×75	
-10	120×100	
-11	150×50	
-12	150×65	
-13	150×75	
-14	150×100	
-15	200×100	

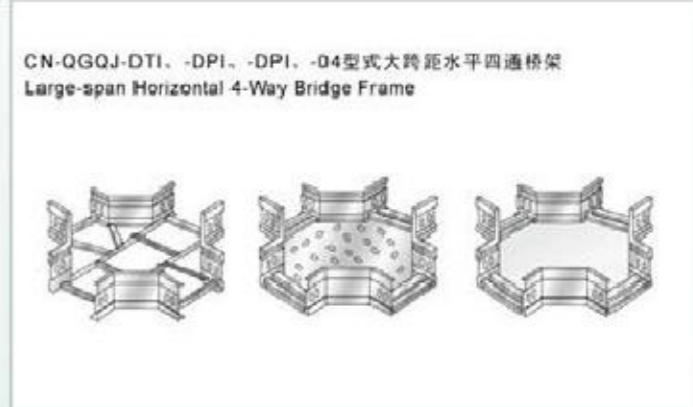
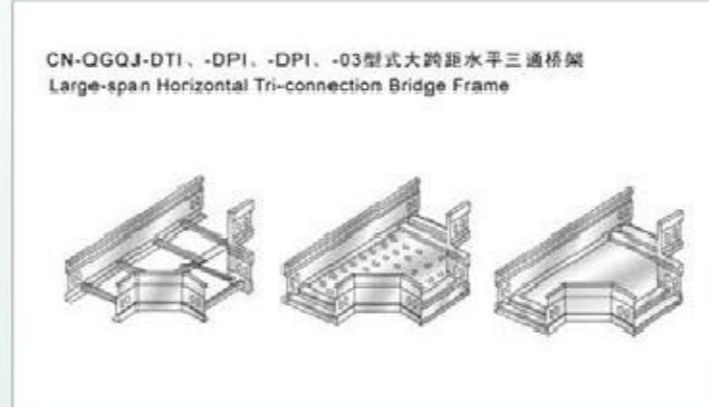


型号 Type	侧边高H (mm)	L (mm)	H1 (mm)
CN-QGQJ-TPC-02B-50	50	60	35
CN-QGQJ-TPC-02B-75	75		50
CN-QGQJ-TPC-02B-100	100		75
CN-QGQJ-TPC-02B-125	125		100
CN-QGQJ-TPC-02B-150	150		125
CN-QGQJ-TPC-02B-200	200		175
CN-QGQJ-TPC-02B-250	250		225
CN-QGQJ-TPC-02B-300	300		275



型号 Type	侧边高H (mm)	L (mm)	H1 (mm)
CN-QGQJ-TPC-02A-50	50	60	35
CN-QGQJ-TPC-02A-75	75		50
CN-QGQJ-TPC-02A-100	100		75
CN-QGQJ-TPC-02A-125	125		100
CN-QGQJ-TPC-02A-150	150		125
CN-QGQJ-TPC-02A-200	200		175
CN-QGQJ-TPC-02A-250	250		225
CN-QGQJ-TPC-02A-300	300		275

注: 弯通、三通、四通等非标准过接头选用请参照本样本29页-32页
Note: Please refer to Page 25-28 for the application of Bended-connection, Tri-connection, Four-connection and so on Non-standard transitive connection.



型号 Type	h (mm)	b (mm)	备注 Remarks
CN-QGQJ-DCI-01-102	100	200	单排连接孔
CN-QGQJ-DCI-01-103		300	
CN-QGQJ-DCI-01-104		400	
CN-QGQJ-DCI-01-105		500	
CN-QGQJ-DCI-01-106		600	
CN-QGQJ-DCI-01-108	800		
CN-QGQJ-DCI-01-152	150	200	双排连接孔
CN-QGQJ-DCI-01-153		300	
CN-QGQJ-DCI-01-154		400	
CN-QGQJ-DCI-01-155		500	
CN-QGQJ-DCI-01-156		600	
CN-QGQJ-DCI-01-158	800		
CN-QGQJ-DCI-01-202	200	200	双排连接孔
CN-QGQJ-DCI-01-203		300	
CN-QGQJ-DCI-01-204		400	
CN-QGQJ-DCI-01-205		500	
CN-QGQJ-DCI-01-206		600	
CN-QGQJ-DCI-01-208	800		
CN-QGQJ-DCI-01-254	250	400	三排连接孔
CN-QGQJ-DCI-01-255		500	
CN-QGQJ-DCI-01-256		600	
CN-QGQJ-DCI-01-258		800	
CN-QGQJ-DCI-01-304		400	
CN-QGQJ-DCI-01-305	500		
CN-QGQJ-DCI-01-306	600		
CN-QGQJ-DCI-01-308	800		

型号 Type	h (mm)	b (mm)	备注 Remarks
CN-QGQJ-DPI-01-102	100	200	单排连接孔
CN-QGQJ-DPI-01-103		300	
CN-QGQJ-DPI-01-104		400	
CN-QGQJ-DPI-01-105		500	
CN-QGQJ-DPI-01-106		600	
CN-QGQJ-DPI-01-108	800		
CN-QGQJ-DPI-01-152	150	200	双排连接孔
CN-QGQJ-DPI-01-153		300	
CN-QGQJ-DPI-01-154		400	
CN-QGQJ-DPI-01-155		500	
CN-QGQJ-DPI-01-156		600	
CN-QGQJ-DPI-01-158	800		
CN-QGQJ-DPI-01-202	200	200	双排连接孔
CN-QGQJ-DPI-01-203		300	
CN-QGQJ-DPI-01-204		400	
CN-QGQJ-DPI-01-205		500	
CN-QGQJ-DPI-01-206		600	
CN-QGQJ-DPI-01-208	800		
CN-QGQJ-DPI-01-254	250	400	三排连接孔
CN-QGQJ-DPI-01-255		500	
CN-QGQJ-DPI-01-256		600	
CN-QGQJ-DPI-01-258		800	
CN-QGQJ-DPI-01-304		400	
CN-QGQJ-DPI-01-305	500		
CN-QGQJ-DPI-01-306	600		
CN-QGQJ-DPI-01-308	800		

型号 Type	h (mm)	b (mm)	备注 Remarks
CN-QGQJ-DTI-01-102	100	200	单排连接孔
CN-QGQJ-DTI-01-103		300	
CN-QGQJ-DTI-01-104		400	
CN-QGQJ-DTI-01-105		500	
CN-QGQJ-DTI-01-106		600	
CN-QGQJ-DTI-01-108	800		
CN-QGQJ-DTI-01-152	150	200	双排连接孔
CN-QGQJ-DTI-01-153		300	
CN-QGQJ-DTI-01-154		400	
CN-QGQJ-DTI-01-155		500	
CN-QGQJ-DTI-01-156		600	
CN-QGQJ-DTI-01-158	800		
CN-QGQJ-DTI-01-202	200	200	双排连接孔
CN-QGQJ-DTI-01-203		300	
CN-QGQJ-DTI-01-204		400	
CN-QGQJ-DTI-01-205		500	
CN-QGQJ-DTI-01-206		600	
CN-QGQJ-DTI-01-208	800		
CN-QGQJ-DTI-01-254	250	400	三排连接孔
CN-QGQJ-DTI-01-255		500	
CN-QGQJ-DTI-01-256		600	
CN-QGQJ-DTI-01-258		800	
CN-QGQJ-DTI-01-304		400	
CN-QGQJ-DTI-01-305	500		
CN-QGQJ-DTI-01-306	600		
CN-QGQJ-DTI-01-308	800		

型号 Type	h (mm)	B (mm)	L1 (mm)	L2 (mm)	备注 Remarks	
CN-QGQJ-DTI-03	-102	100	200	800	单排连接孔	
	-103		300	900		
	-104		400	1000		
	-105		500	1100		
	-106		600	1200		
-108	800	1400	1100			
CN-QGQJ-DPI-03	-152	150	200	800	双排连接孔	
	-153		300	900		600
	-154		400	1000		700
	-155		500	1100		800
	-156		600	1200		900
CN-QGQJ-DPI-03	-158	200	800	1400	1100	
	-202		200	800	600	
	-203		300	900	700	
	-204		400	1000	800	
	-205		500	1100	900	
	-206		600	1200	1100	
	-207		800	1400	1200	
	-254		250	400	1000	800
	-255			500	1100	900
	-256			600	1200	1100
-258	800	1400	1200			
-304	300	400	1000	800		
-305		500	1100	900		
-306		600	1200	1100		
-308		800	1400	1200		

型号 Type	h (mm)	B (mm)	L1 (mm)	备注 Remarks	
CN-QGQJ-DTI-04	-102	100	200	800	单排连接孔
	-103		300	900	
	-104		400	1000	
	-105		500	1100	
	-106		600	1200	
-108	800	1400			
CN-QGQJ-DPI-04	-152	150	200	800	双排连接孔
	-153		300	900	
	-154		400	1000	
	-155		500	1100	
	-156		600	1200	
CN-QGQJ-DPI-04	-158	200	800	1400	双排连接孔
	-202		200	800	
	-203		300	900	
	-204		400	1000	
	-205		500	1100	
	-206		600	1200	
	-207		800	1600	
	-254		250	400	
-255	500	1100			
-256	600	1200			
-258	800	1600			
-304	300	400	1000	三排连接孔	
-305		500	1100		
-306		600	1200		
-308		800	1600		



型号 Type	h (mm)	b (mm)	L (mm)	备注 Remarks	
CN-QGQJ-TI-02	-102	100	200	500	单排连接孔
	-103		300	600	
	-104		400	700	
	-105		500	800	
	-106		600	900	
-108	800	1100			
CN-QGQJ-PI-02	-152	150	200	500	双排连接孔
	-153		300	600	
	-154		400	700	
	-155		500	800	
	-156		600	900	
CN-QGQJ-CI-02	-158	200	800	1100	双排连接孔
	-202		200	500	
	-203		300	600	
	-204		400	700	
	-205		500	800	
	-206		600	900	
	-208		800	1100	

CN-QGQJ-DT1, -DPI, -DC1, -05型式大跨距垂直下弯通桥架
Large-span Vertical Down Curved way Bridge Frame



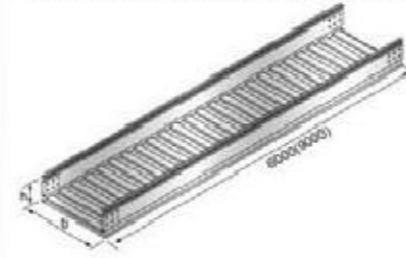
型号 Type	h (mm)	B (mm)	L1 (mm)	备注 Remarks		
CN-QGQJ-DT1-05	-102	200	360	单排连接孔		
	-103	300				
	-104	400				
	-105	500				
	-106	600				
	-108	800				
CN-QGQJ-DPI-05	-152	200	400	双排连接孔		
	-153	300				
	-154	400				
	-155	500				
	-156	600				
	-158	800				
CN-QGQJ-DC1-05	-202	200	550	双排连接孔		
	-203	300				
	-204	400				
	-205	500				
	-206	600				
	-207	800				
	-254	400			750	三排连接孔
	-255	500				
	-256	600				
	-258	800				
CN-QGQJ-DC1-05	-304	400	900	三排连接孔		
	-305	500				
	-306	600				
	-306	600				
	-308	800				
	-308	800				

CN-QGQJ-DT1, -DPI, -DC1, -06型式大跨距垂直上弯通桥架
Large-span Vertical Up Curved way Bridge Frame



型号 Type	h (mm)	B (mm)	L1 (mm)	备注 Remarks		
CN-QGQJ-DT1-06	-102	200	360	单排连接孔		
	-103	300				
	-104	400				
	-105	500				
	-106	600				
	-108	800				
CN-QGQJ-DPI-06	-152	200	400	双排连接孔		
	-153	300				
	-154	400				
	-155	500				
	-156	600				
	-158	800				
CN-QGQJ-DC1-06	-202	200	550	双排连接孔		
	-203	300				
	-204	400				
	-205	500				
	-206	600				
	-207	800				
	-254	400			750	三排连接孔
	-255	500				
	-256	600				
	-258	800				
CN-QGQJ-DC1-06	-304	400	900	三排连接孔		
	-305	500				
	-306	600				
	-306	600				
	-308	800				
	-308	800				

CN-QGQJ-DC2-01型槽式大跨距汇线双边桥架
Trough Large-span Cable Collection Bridge Frame



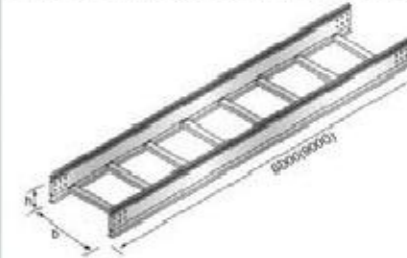
型号 Type	h (mm)	b (mm)	备注 Remarks
CN-QGQJ-DC2-01-102	100	200	单排连接孔
CN-QGQJ-DC2-01-103		300	
CN-QGQJ-DC2-01-104		400	
CN-QGQJ-DC2-01-105		500	
CN-QGQJ-DC2-01-106		600	
CN-QGQJ-DC2-01-108		800	
CN-QGQJ-DC2-01-152	150	200	双排连接孔
CN-QGQJ-DC2-01-153		300	
CN-QGQJ-DC2-01-154		400	
CN-QGQJ-DC2-01-155		500	
CN-QGQJ-DC2-01-156		600	
CN-QGQJ-DC2-01-158		800	
CN-QGQJ-DC2-01-202	200	200	双排连接孔
CN-QGQJ-DC2-01-203		300	
CN-QGQJ-DC2-01-204		400	
CN-QGQJ-DC2-01-205		500	
CN-QGQJ-DC2-01-206		600	
CN-QGQJ-DC2-01-208		800	
CN-QGQJ-DC2-01-254	250	400	三排连接孔
CN-QGQJ-DC2-01-255		500	
CN-QGQJ-DC2-01-256		600	
CN-QGQJ-DC2-01-258		800	
CN-QGQJ-DC2-01-304		400	
CN-QGQJ-DC2-01-305		500	
CN-QGQJ-DC2-01-306	600		
CN-QGQJ-DC2-01-308	800		

CN-QGQJ-DP2-01型托盘式大跨距汇线双边桥架
Salver Large-span Cable Collection Bridge Frame



型号 Type	h (mm)	b (mm)	备注 Remarks
CN-QGQJ-DP2-01-102	100	200	单排连接孔
CN-QGQJ-DP2-01-103		300	
CN-QGQJ-DP2-01-104		400	
CN-QGQJ-DP2-01-105		500	
CN-QGQJ-DP2-01-106		600	
CN-QGQJ-DP2-01-108		800	
CN-QGQJ-DP2-01-152	150	200	双排连接孔
CN-QGQJ-DP2-01-153		300	
CN-QGQJ-DP2-01-154		400	
CN-QGQJ-DP2-01-155		500	
CN-QGQJ-DP2-01-156		600	
CN-QGQJ-DP2-01-158		800	
CN-QGQJ-DP2-01-202	200	200	双排连接孔
CN-QGQJ-DP2-01-203		300	
CN-QGQJ-DP2-01-204		400	
CN-QGQJ-DP2-01-205		500	
CN-QGQJ-DP2-01-206		600	
CN-QGQJ-DP2-01-208		800	
CN-QGQJ-DP2-01-254	250	400	三排连接孔
CN-QGQJ-DP2-01-255		500	
CN-QGQJ-DP2-01-256		600	
CN-QGQJ-DP2-01-258		800	
CN-QGQJ-DP2-01-304		400	
CN-QGQJ-DP2-01-305		500	
CN-QGQJ-DP2-01-306	600		
CN-QGQJ-DP2-01-308	800		

CN-QGQJ-DT2-01型梯级式大跨距汇线双边桥架
Stair Large-span Cable Collection Bridge Frame



型号 Type	h (mm)	b (mm)	备注 Remarks
CN-QGQJ-DT2-01-102	100	200	单排连接孔
CN-QGQJ-DT2-01-103		300	
CN-QGQJ-DT2-01-104		400	
CN-QGQJ-DT2-01-105		500	
CN-QGQJ-DT2-01-106		600	
CN-QGQJ-DT2-01-108		800	
CN-QGQJ-DT2-01-152	150	200	双排连接孔
CN-QGQJ-DT2-01-153		300	
CN-QGQJ-DT2-01-154		400	
CN-QGQJ-DT2-01-155		500	
CN-QGQJ-DT2-01-156		600	
CN-QGQJ-DT2-01-158		800	
CN-QGQJ-DT2-01-202	200	200	双排连接孔
CN-QGQJ-DT2-01-203		300	
CN-QGQJ-DT2-01-204		400	
CN-QGQJ-DT2-01-205		500	
CN-QGQJ-DT2-01-206		600	
CN-QGQJ-DT2-01-208		800	
CN-QGQJ-DT2-01-254	250	400	三排连接孔
CN-QGQJ-DT2-01-255		500	
CN-QGQJ-DT2-01-256		600	
CN-QGQJ-DT2-01-258		800	
CN-QGQJ-DT2-01-304		400	
CN-QGQJ-DT2-01-305		500	
CN-QGQJ-DT2-01-306	600		
CN-QGQJ-DT2-01-308	800		

CN-QGQJ-DT2, DP2, DC2-02型式水平弯通双边桥架
Large-span Horizontal Bend Bridge Frame



型号 Type	h (mm)	b (mm)	L (mm)	备注 Remarks	
CN-QGQJ-DT2-02	100	-102	200	单排连接孔	
		-103	300		
		-104	400		
		-105	500		
		-106	600		
	CN-QGQJ-DP2-02	150	-108		800
			-152		200
			-153		300
			-154		400
			-155		500
CN-QGQJ-DC2-02	200	-156	600	双排连接孔	
		-158	800		
		-202	200		
		-203	300		
		-204	400		
	CN-QGQJ-DC2-02	300	-205		500
			-206		600
			-208		800
			-208		800
			-208		800

CN-QGQJ-DT2, -DP2, -DC2-03型大跨距水平三通双边桥架
Large-span Horizontal Tri-connection Bridge Frame



型号 Type	h (mm)	B (mm)	L1 (mm)	L2 (mm)	备注 Remarks	
-102	100	200	800	500	单 排 连 接 孔	
-103		300	900	600		
-104		400	1000	700		
-105		500	1100	800		
-106		600	1200	900		
-108		800	1400	1100		
-152	150	200	800	500	双 排 连 接 孔	
-153		300	900	600		
-154		400	1000	700		
-155	500	1100	800			
-156	600	1200	900			
-158	800	1400	1100			
-202	200	200	800	600		双 排 连 接 孔
-203		300	900	700		
-204		400	1000	800		
-205		500	1100	900		
-206		600	1200	1100		
-207		800	1400	1200		
-254	250	400	1000	800	三 排 连 接 孔	
-255		500	1100	900		
-256		600	1200	1100		
-258		800	1400	1200		
-304	300	400	1000	800		三 排 连 接 孔
-305		500	1100	900		
-306		600	1200	1100		
-308		800	1400	1200		

CN-QGQJ-DT2, -DP2, -DC2-04型大跨距水平四通双边桥架
Large-span Horizontal 4-Way Bridge Frame



型号 Type	h (mm)	B (mm)	L1 (mm)	备注 Remarks	
-102	100	200	800	单 排 连 接 孔	
-103		300	900		
-104		400	1000		
-105		500	1100		
-106		600	1200		
-108		800	1400		
-152	150	200	800	双 排 连 接 孔	
-153		300	900		
-154		400	1000		
-155	500	1100			
-156	600	1200			
-158	800	1400			
-202	200	200	800		双 排 连 接 孔
-203		300	900		
-204		400	1000		
-205		500	1100		
-206		600	1200		
-207		800	1600		
-254	250	400	1000	三 排 连 接 孔	
-255		500	1100		
-256		600	1200		
-258		800	1600		
-304	300	400	1000		三 排 连 接 孔
-305		500	1100		
-306		600	1200		
-308		800	1600		

WG/QGQJ-DT2, -DP2, -DC2, -05型大跨距垂直下弯通双边桥架
Large-span Vertical Down Curved way Bridge Frame



型号 Type	h (mm)	B (mm)	L1 (mm)	备注 Remarks	
-102	100	200	300	单 排 连 接 孔	
-103		300			
-104		400			
-105		500			
-106		600			
-108		800			
-152	150	200	双 排 连 接 孔		
-153		300			
-154		400			
-155	500				
-156	600				
-158	800				
-202	200	200		550	双 排 连 接 孔
-203		300			
-204		400			
-205		500			
-206		600			
-207		800			
-254	250	400	三 排 连 接 孔		
-255		500			
-256		600			
-258		800			
-304	300	400		三 排 连 接 孔	
-305		500			
-306		600			
-308		800			

WG/QGQJ-DT2, -DP2, -DC2, -06型大跨距垂直上弯通双边桥架
Large-span Vertical Up Curved way Bridge Frame



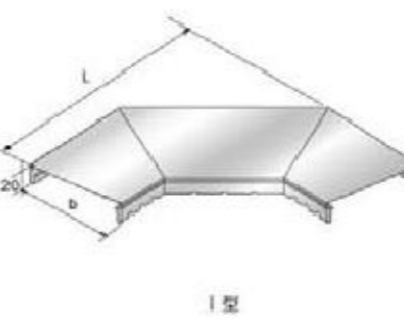
型号 Type	h (mm)	B (mm)	L1 (mm)	备注 Remarks	
-102	100	200	300	单 排 连 接 孔	
-103		300			
-104		400			
-105		500			
-106		600			
-108		800			
-152	150	200	双 排 连 接 孔		
-153		300			
-154		400			
-155	500				
-156	600				
-158	800				
-202	200	200		550	双 排 连 接 孔
-203		300			
-204		400			
-205		500			
-206		600			
-207		800			
-254	250	400	三 排 连 接 孔		
-255		500			
-256		600			
-258		800			
-304	300	400		三 排 连 接 孔	
-305		500			
-306		600			
-308		800			

高效散热结构电缆桥架护罩(专利产品)
Super-effectual Heat-dispersive Structure
Cable Bridge Frame Shield(Patented article)



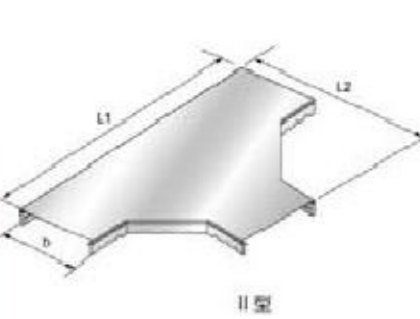
型号 Type	B (mm)
CN-QGQJ-SZ-01-2	200
CN-QGQJ-SZ-01-3	300
CN-QGQJ-SZ-01-4	400
CN-QGQJ-SZ-01-5	500
CN-QGQJ-SZ-01-6	600
CN-QGQJ-SZ-01-8	800
CN-QGQJ-SZ-01-9	900
CN-QGQJ-SZ-01-10	1000

CN-QGQJ-TPC-09弯通护罩
Bended-connection Shield



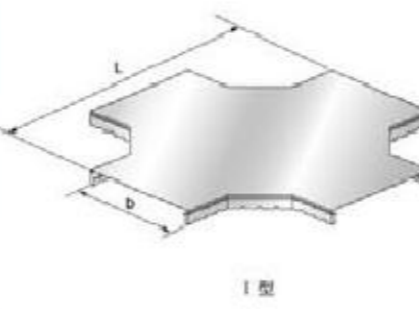
型号 Type	B (mm)	L (mm)	
		I型	II型
CN-QGQJ-SZ-02-2	200	600	700
CN-QGQJ-SZ-02-3	300	700	800
CN-QGQJ-SZ-02-4	400	800	900
CN-QGQJ-SZ-02-5	500	900	1000
CN-QGQJ-SZ-02-6	600	1000	1100
CN-QGQJ-SZ-02-8	800	1200	1300
CN-QGQJ-SZ-02-9	900	1300	1400
CN-QGQJ-SZ-02-10	1000	1400	1500

CN-QGQJ-TPC-10三通护罩
Tri-connection Shield



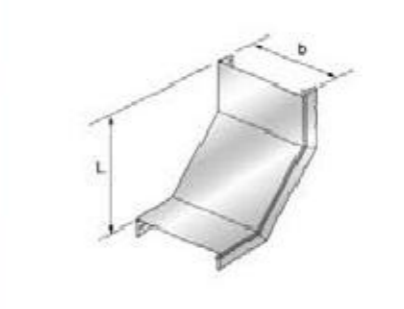
型号 Type	B (mm)	L1 (mm)	L2 (mm)
CN-QGQJ-SZ-03-2	200	1200	700
CN-QGQJ-SZ-03-3	300	1300	800
CN-QGQJ-SZ-03-4	400	1400	900
CN-QGQJ-SZ-03-5	500	1500	1000
CN-QGQJ-SZ-03-6	600	1600	1200
CN-QGQJ-SZ-03-8	800	1800	1300
CN-QGQJ-SZ-03-9	900	1900	1400
CN-QGQJ-SZ-03-10	1000	2000	1500

CN-QGQJ-TPC-11四通护罩
Four-connection Shield




型号 Type	B (mm)	L (mm)	
		I型	II型
CN-QGQJ-SZ-04-2	200	1000	1200
CN-QGQJ-SZ-04-3	300	1100	1300
CN-QGQJ-SZ-04-4	400	1200	1400
CN-QGQJ-SZ-04-5	500	1300	1500
CN-QGQJ-SZ-04-6	600	1400	1600
CN-QGQJ-SZ-04-8	800	1600	1800
CN-QGQJ-SZ-04-9	900	1700	1900
CN-QGQJ-SZ-04-10	1000	1800	2000

CN-QGQJ-TPC-12垂直下弯通护罩
Vertical Down Bended Connection Shield



型号 Type	B (mm)	L (mm)		
		I型	II型	III型
CN-QGQJ-SZ-5A-2	200	300	450	500
CN-QGQJ-SZ-5A-3	300			
CN-QGQJ-SZ-5A-4	400			
CN-QGQJ-SZ-5A-5	500			
CN-QGQJ-SZ-5A-6	600			
CN-QGQJ-SZ-5A-8	800			
CN-QGQJ-SZ-5A-9	900			
CN-QGQJ-SZ-5A-10	1000			

CN-QGQJ-TPC-12B垂直上弯通护罩
Vertical Up Bended Connection Shield



型号 Type	B (mm)	L (mm)		
		I型	II型	III型
CN-QGQJ-SZ-5B-2	200	400	550	600
CN-QGQJ-SZ-5B-3	300			
CN-QGQJ-SZ-5B-4	400			
CN-QGQJ-SZ-5B-5	500			
CN-QGQJ-SZ-5B-6	600			
CN-QGQJ-SZ-5B-8	800			
CN-QGQJ-SZ-5B-9	900			
CN-QGQJ-SZ-5B-10	1000			

高强度钢腹玻璃钢电缆桥架产品简介

高强度钢腹玻璃钢电缆桥架产品是我公司通过自主创新成功研发的一种适应于重化学性腐蚀环境的、用于电力、通讯管理电缆的新技术、新产品。

玻璃纤维增强塑料简称玻璃钢，用玻璃钢制作的电缆桥架已广泛用于酸碱等化学性重腐蚀工矿企业，其优点是重量轻、耐腐蚀、绝缘和透波性能好。目前，国内生产的玻璃钢桥架有两种，一种是通过拉挤成型和机械模压的全质玻璃钢桥架，另一种制作工艺是将玻璃纤维与树脂复合在钢板上的简称为复合桥架。这两种桥架缺点如下：

1、全质玻璃钢桥架由于底板是平板，树脂作为联结剂，由于玻璃纤维在拉挤时存在经线和纬线受力强度的差异，纬线方向的强度完全靠面毡和树脂的联结力，这样一次性拉挤的桥架产品横向的强度不到纵向的强度1/10，桥架平板一旦受力，底板宽度方向的中间将向下弯曲，沿经线方向撕裂的现象不可避免，由于拉挤工艺造成的产品缺陷使产品在运输途中的损坏率高达30%以上，且经安装到工程上的桥架产品存在断裂或坍塌的严重安全隐患。

2、复合桥架采用的是手工制作，效率低、成本高，造价是一般产品的2-3倍，由于树脂是复合在钢板上，粘结技术要求很高，一旦结合力不好就存在剥落的现象。而且由于玻璃钢与钢材的热膨胀系数不同，使用3-5年后外表的有机树脂与钢板产生应力性点分离，使钢板产生集中性点腐蚀而失去强度。经使用后的复合桥架由于复合材料难以分离，不但钢板不能回收，废弃物也不易处理，造成严重的环境污染，如采用复合桥架今后必将会给用户带来昂贵的固体垃圾处理费用。

而高强度钢腹玻璃钢桥架采用拼装工艺解决了拉挤玻璃钢桥架纵、横向强度差异，以及易撕裂的问题，充分利用了玻璃钢材料重量轻、耐腐蚀、抗拉、抗弯、绝缘和透波性好的优点。从材料力学的角度对桥架结构进行创造性的设计，用空腹管状结构代替平板结构，用模块化拼装代替一次性拉挤成型、用型材的横向受力转为纵向受力，该产品经国家玻璃钢制品质量监督检验中心检测，弯曲强度达到515MPa，拉伸强度达到442MPa；经荷载试验，规格800*150的钢腹玻璃钢桥架在支吊跨距6米时，承载3360N，额定均布荷载560N/m，挠度值为24mm，超过了钢制电缆桥架设计规范荷载等级中D级（最高级）413N/m的要求，其荷载能力是钢制桥架D级荷载1.35倍以上，是一次性拉挤玻璃钢桥架的5倍以上，与同类产品相比具有重量更轻、强度更高、性能更好的优点；克服了全质玻璃钢桥架在刚性强度和承载力方面存在的弱点，同时解决了复合桥架易剥落，热膨胀系数不等造成的表面层分离、钢板生锈的问题。

所有玻璃钢及其复合产品都存在紫外线老化的问题，为解决这一难题，我公司通过创新，成功地将抗紫外线老化的VCI双金属复合涂层技术应用到钢腹玻璃钢桥架表面，覆涂VCI双金属复合涂层的钢腹玻璃钢桥架经广州威凯检测技术研究所（原广州电器科学研究院气候试验中心）2000小时光老化对比试验检测，检测结果表明，未覆涂VCI涂层的试样色差为27.36、光泽保持率为18.9%，覆涂VCI涂层的试样色差为4.99、光泽保持率为93.5%；未覆涂VCI涂层的试样试验前弯曲强度为533MPa，试验后为468.5MPa，抗弯强度降低12%，覆涂VCI涂层的试样试验前弯曲强度为496.1MPa，试验后弯曲强度为470.8MPa，抗弯强度降低5%。以上试验数据说明采用VCI双金属复合涂层的钢腹玻璃钢桥架是玻璃钢制品表面抗老化课题的重大突破，该项技术的应用对于玻璃钢制品在抗老化、延长使用寿命方面具有十分重要的意义，显著降低了用户的投资摊销费用。

高强度钢腹玻璃钢桥架产品的成功问世为化工重腐蚀领域中的用户提供了安全可靠的保证，也为玻璃钢复合材料电缆桥架在环境保护、循环利用方面起到了积极的推动作用，在玻璃钢复合材料电缆桥架行业中必将掀起一场新的产业革命。

Brief introduction of High Strength FRP Steel Abdomen Cable Trays

High strength FRP (fiberglass reinforced plastic) steel abdomen cable tray is independently developed by our company, which can adapt to heavy chemical eroded environments. It is a new technology of cable trays that is applied to electricity and telecommunications cables.

Cable trays that has been made from FRP has been widely used in heavily eroded environments such as acid & alkali industries or mining enterprises, for its benefit in lightweight, corrosion resistance, well insulation and permeability of the electromagnetic waves. At present, there are two types of FRP steel abdomen cable tray produced domestically; one is a composite full-fiberglass reinforced plastic cable trays produced by mechanical mold press and strain, the other is called composite trays which use steel as the basic material and then add composite resin on the surface.

The disadvantages of the two products are as follows:

1. The soleplate of composite full-fiberglass reinforced plastic cable trays is a flat board, and use resin as coupling agent. Through the process of mechanical mold press and strain there would be different stress intensity in warp and weft, the stress intensity in latitude direction depend entirely on the connecting power of the surface felt and the resin, therefore the power of mold pressing horizontally in one go is less than one tenth the power of pressing it vertically. If the flat board suffers any force, the middle of the board will always bend down horizontally, thus the soleplate along the longitude direction will tear. 30% of damage through transportation was due to defected products, which was caused by the mechanical mold press and strain technology mentioned above. And finally the whole trays may hide the serious danger of fracture or collapse through construction.

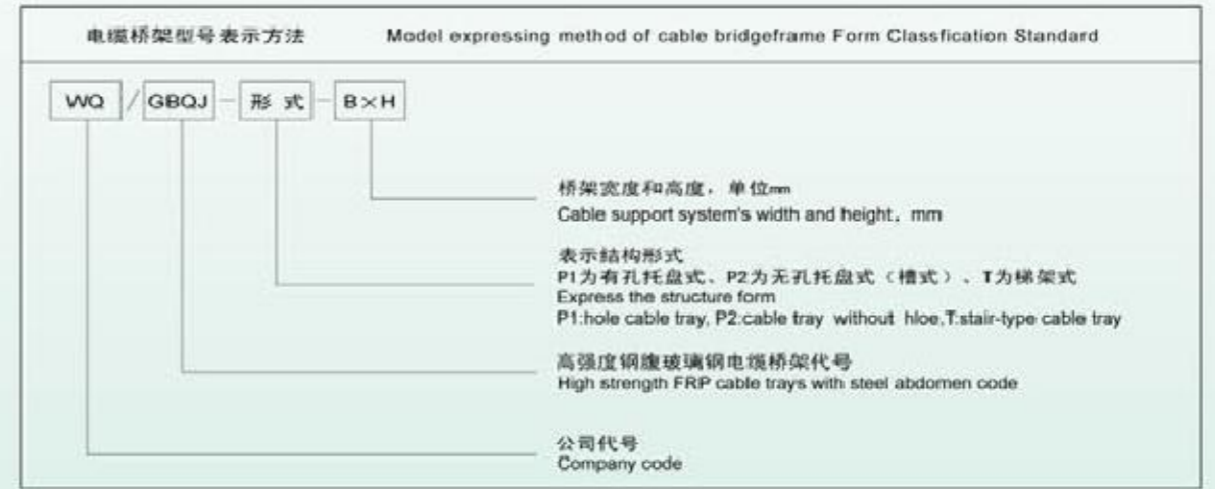
2. "Composite trays" are usually handcrafted, low efficiency and high costs are inevitable: they cost three times as much as normal trays. Because the resin should adhere to the surface of steel plate, it has high demand on adhesion technology. The resin will exfoliate due to bad adhesion technology. Moreover, the thermal expansivity of FRP and other materials are different, after three to five years of usage the resin on the surface and the steel plate would start to have stress separation, thus cause concentrated pitting corrosion which would result in loss of intensity. In addition, composite trays are made by composite material that is hard to separate after use. The steel plate and the part of FRP can't be reused. Therefore it would bring serious pollution to the environment. With the developing awareness of social environmental protection, customers have to spend high cost to deal with solid wastes caused by "composite trays" for environmental protection.

High strength FRP steel abdomen cable trays has solved the problems that existed in flat board construction of FRP, such as: low strength and easily tear. It combined the double advantages of FRP materials and steel materials as following: FRP materials' advantages are: light weight, corrosion resistance, good insulation and permeability of the electromagnetic waves, as well as the steel materials' advantages are: tensile, torsion and high strength.

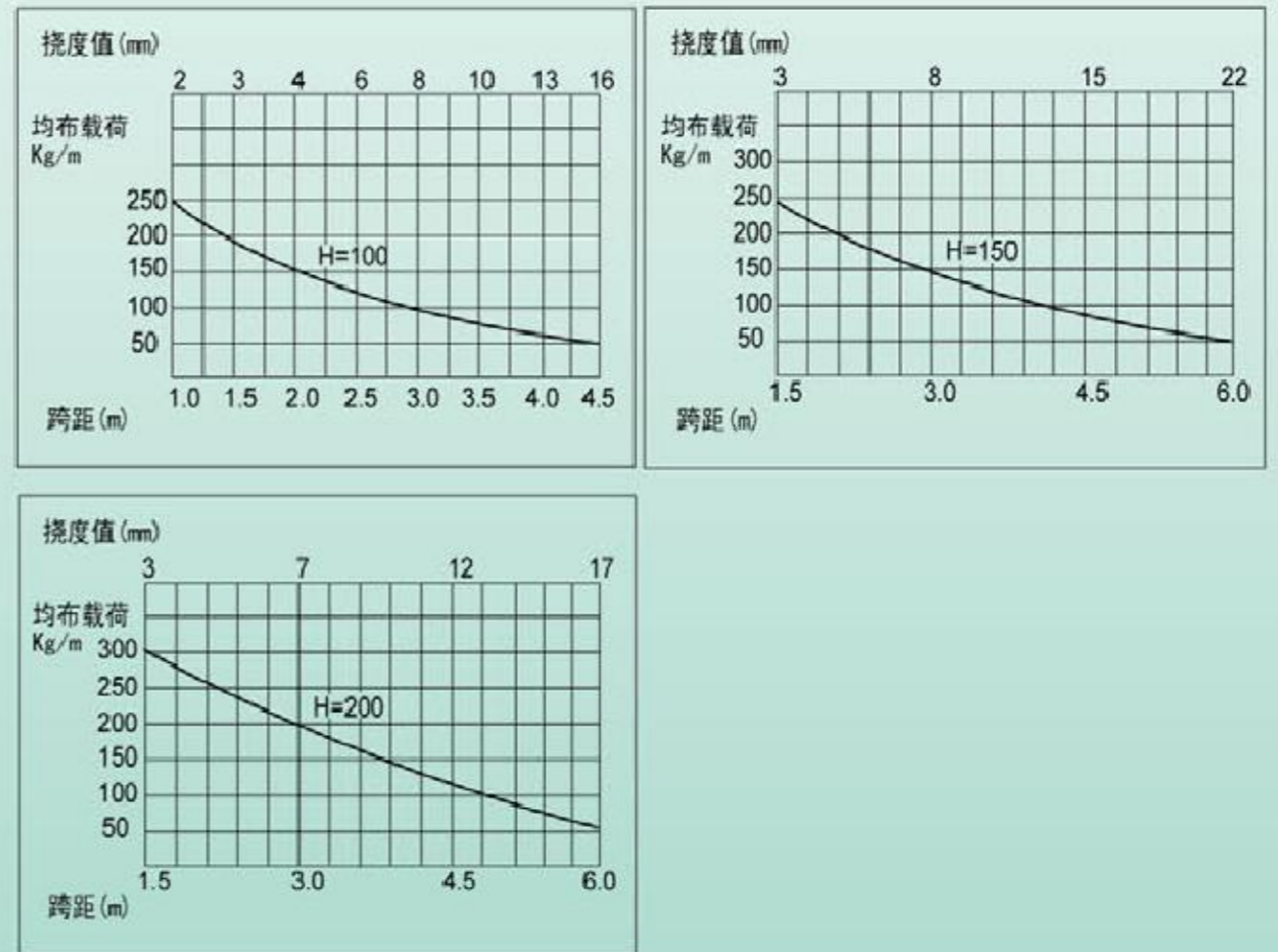
The construction of High strength FRP steel abdomen cable trays was designed from the mechanical point of view. It replaced the flat structure with a hollow tubular structure, replaced one-time pultrusion manufacturing with modular assembly, and exchanged the material's horizontal force to vertical. This product has been detected by the National FRP Products Quality Supervision and Inspection Center, its bending strength reached the height of 515Mpa, tensile strength reached 442Mpa; after experiencing load test, when hanging 800*150 sized FRP steel abdomen cable tray over a span of 6 meters, the bearing will be 3360N, the rated distributed load will be 560N/m, deflection will be 24mm, exceeding the D level request (highest level) of steel cable tray load rating design specification, which is 413N/m. The steel strength of FRP steel abdomen cable trays is 5 times the strength of full-fiberglass reinforced plastics, which has been realized the most perfect combination of these two kinds of materials. Compared with similar cable trays, the advantages can be shown: lighter in weight, greater in strength and better performance. It can not only overcome some shortages of full-fiberglass reinforced plastic both in steel strength and bearing capacity, but also solve the problems of "composite trays" in some places, such as: poor combination, easily exfoliated, any deformation caused by different thermal expandable coefficient and hard separation between steel and plastic materials that bring recycling of waste material.

All FRP and its composite products face the problem of UV aging; to solve this problem our company went through innovation and successfully applied the anti-UV aging VCI double-metal composite coating technology to the surface of the FRP steel abdomen cable tray, the double-metal composite coated FRP steel abdomen cable tray has been put through detection by Guangzhou Vkan Certification and Testing Institute (CVC-former GWTC) of over 2000 hours of photoaging comparative test. The results showed that the sample color variance of the products without the VCI coating was 27.36; luster retention was 18.9%, while sample color variance for products with VCI coating was 4.99, and luster retention was 93.5%. The bending strength of sample without VCI coating was 533Mpa before testing, and the figure was 468.5Mpa with bending strength declined 12%. On the other hand bending strength of sample with VCI coating was 496.1Mpa before testing and after testing the bending strength was 470.8Mpa, bending strength declining only 5%. The above test data illustrated that the application of VCI double-metal composite coating technology is a significant breakthrough to the anti-aging issues of FRP products; it significantly reduced the amortization expense for the user's investment.

The successful appearance of high strength fiberglass reinforced plastic (FRP) steel abdomen cable tray provided a safe and secure guaranty for the users in the field of chemical industry, it also played an active role in promoting high strength FRP steel abdomen cable trays in areas such as environment protection and recycling. An industrial revolution in the field of FRP steel abdomen cable trays is inevitable.



电缆桥架载荷曲线 Cable tray load curve

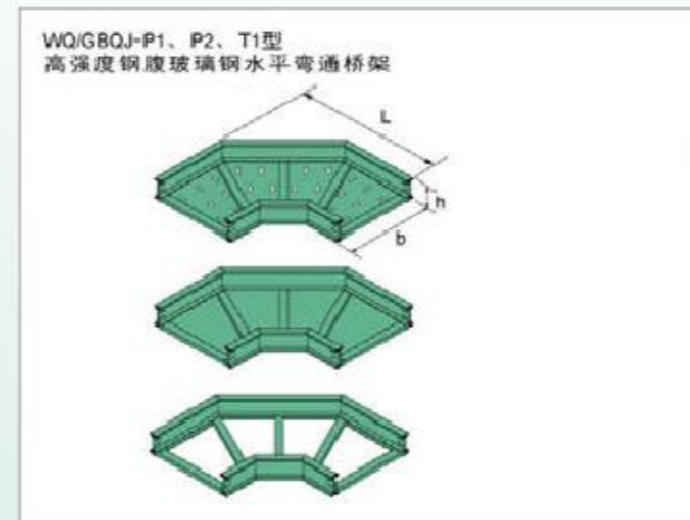




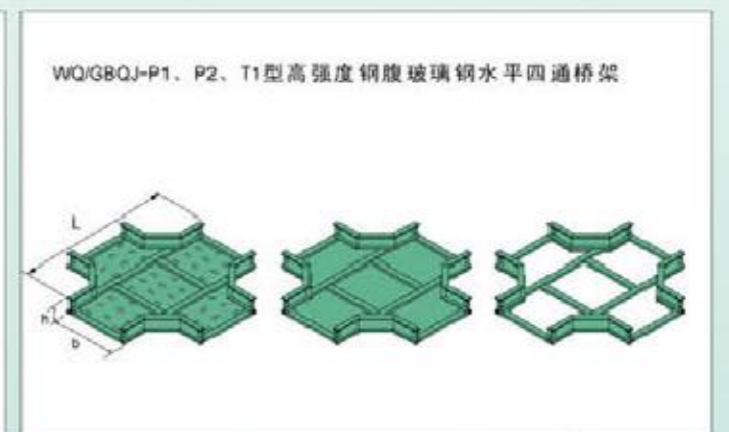
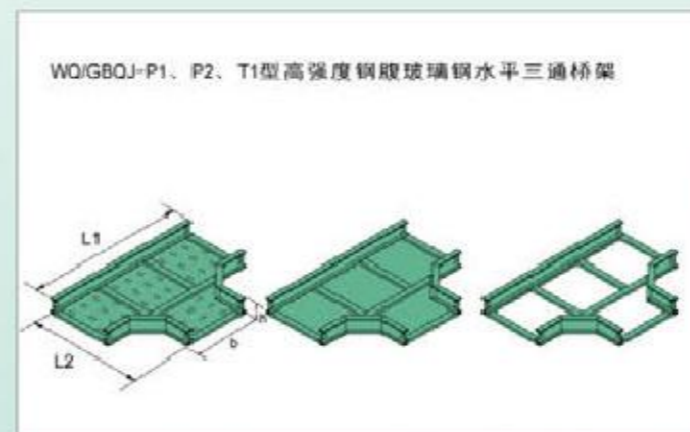
型号 Type	备注 Remarks
WQ/GBQJ-P1-200×100	双 排 连 接 孔
WQ/GBQJ-P1-300×100	
WQ/GBQJ-P1-400×100	
WQ/GBQJ-P1-500×100	
WQ/GBQJ-P1-600×100	
WQ/GBQJ-P1-800×100	
WQ/GBQJ-P1-200×150	
WQ/GBQJ-P1-300×150	
WQ/GBQJ-P1-400×150	
WQ/GBQJ-P1-500×150	
WQ/GBQJ-P1-600×150	
WQ/GBQJ-P1-800×150	
WQ/GBQJ-P1-200×200	
WQ/GBQJ-P1-300×200	
WQ/GBQJ-P1-400×200	
WQ/GBQJ-P1-500×200	
WQ/GBQJ-P1-600×200	
WQ/GBQJ-P1-800×200	

型号 Type	备注 Remarks
WQ/GBQJ-P2-200×100	双 排 连 接 孔
WQ/GBQJ-P2-300×100	
WQ/GBQJ-P2-400×100	
WQ/GBQJ-P2-500×100	
WQ/GBQJ-P2-600×100	
WQ/GBQJ-P2-800×100	
WQ/GBQJ-P2-200×150	
WQ/GBQJ-P2-300×150	
WQ/GBQJ-P2-400×150	
WQ/GBQJ-P2-500×150	
WQ/GBQJ-P2-600×150	
WQ/GBQJ-P2-800×150	
WQ/GBQJ-P2-200×200	
WQ/GBQJ-P2-300×200	
WQ/GBQJ-P2-400×200	
WQ/GBQJ-P2-500×200	
WQ/GBQJ-P2-600×200	
WQ/GBQJ-P2-800×200	

型号 Type	备注 Remarks
WQ/GBQJ-T1-200×100	双 排 连 接 孔
WQ/GBQJ-T1-300×100	
WQ/GBQJ-T1-400×100	
WQ/GBQJ-T1-500×100	
WQ/GBQJ-T1-600×100	
WQ/GBQJ-T1-800×100	
WQ/GBQJ-T1-200×150	
WQ/GBQJ-T1-300×150	
WQ/GBQJ-T1-400×150	
WQ/GBQJ-T1-500×150	
WQ/GBQJ-T1-600×150	
WQ/GBQJ-T1-800×150	
WQ/GBQJ-T1-200×200	
WQ/GBQJ-T1-300×200	
WQ/GBQJ-T1-400×200	
WQ/GBQJ-T1-500×200	
WQ/GBQJ-T1-600×200	
WQ/GBQJ-T1-800×200	

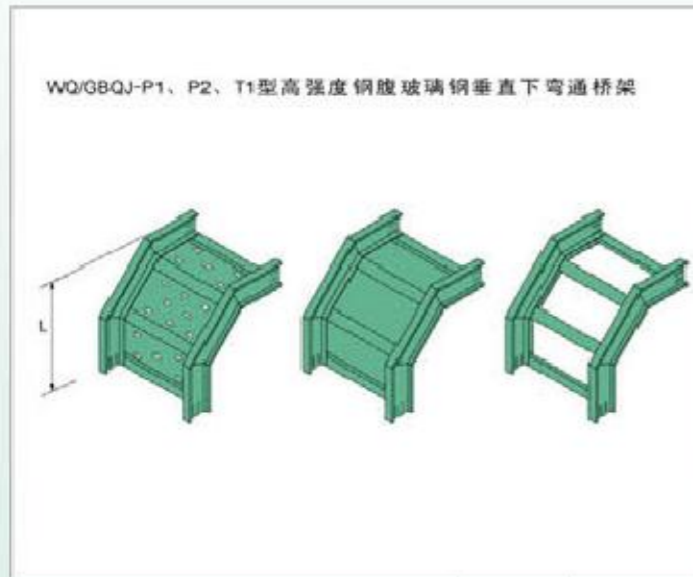


型号 Type	L (mm)	备注 Remarks	
WQ/GBQJ-P1-	200×100-L1	500	双 排 连 接 孔
	300×100-L1	600	
	400×100-L1	700	
	500×100-L1	800	
	600×100-L1	900	
	800×100-L1	1100	
WQ/GBQJ-P2-	200×150-L1	500	
	300×150-L1	600	
	400×150-L1	700	
WQ/GBQJ-T1-	500×150-L1	800	
	600×150-L1	900	
	800×150-L1	1100	
	200×200-L1	500	
	300×200-L1	600	
	400×200-L1	700	
	500×200-L1	800	
	600×200-L1	900	
800×200-L1	1100		



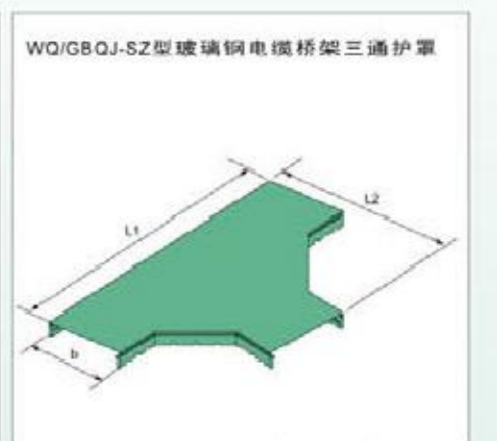
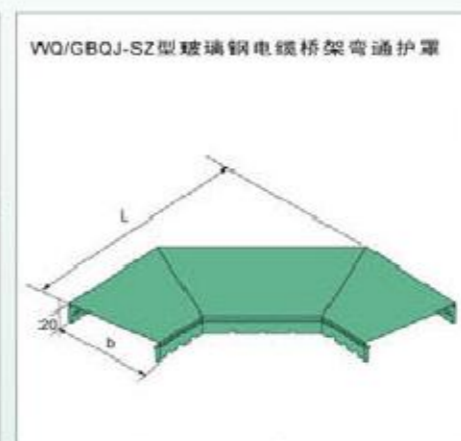
型号 Type	L1 (mm)	L2 (mm)	备注 Remarks	
WQ/GBQJ-P1-	200×100-T1	800	500	双 排 连 接 孔
	300×100-T1	900	600	
	400×100-T1	1000	700	
	500×100-T1	1100	800	
	600×100-T1	1200	900	
	800×100-T1	1400	1100	
WQ/GBQJ-P2-	200×150-T1	800	500	
	300×150-T1	900	600	
WQ/GBQJ-T1-	400×150-T1	1000	700	
	500×150-T1	1100	800	
	600×150-T1	1200	900	
	800×150-T1	1400	1100	
	200×200-T1	800	600	
	300×200-T1	900	700	
	400×200-T1	1000	800	
	500×200-T1	1100	900	
600×200-T1	1200	1100		
800×200-T1	1400	1200		

型号 Type	L (mm)	备注 Remarks	
WQ/GBQJ-P1-	200×100-X1	800	双 排 连 接 孔
	300×100-X1	900	
	400×100-X1	1000	
	500×100-X1	1100	
	600×100-X1	1200	
	800×100-X1	1400	
WQ/GBQJ-P2-	200×150-X1	800	
	300×150-X1	900	
WQ/GBQJ-T1-	400×150-X1	1000	
	500×150-X1	1100	
	600×150-X1	1200	
	800×150-X1	1400	
	200×200-X1	800	
	300×200-X1	900	
	400×200-X1	1000	
	500×200-X1	1100	
600×200-X1	1200		
800×200-X1	1600		



型号 Type		L (mm)	备注 Remarks
WQ/GBQJ-P1	200×100-L2	360	双排连接孔
	300×100-L2		
	400×100-L2		
	500×100-L2		
	600×100-L2		
	800×100-L2		
WQ/GBQJ-P2	200×150-L2	400	
	300×150-L2		
	400×150-L2		
WQ/GBQJ-T1	500×150-L2		
	600×150-L2		
	800×150-L2		
	200×200-L2		550
300×200-L2			
400×200-L2			
500×200-L2			
600×200-L2			
800×200-L2			

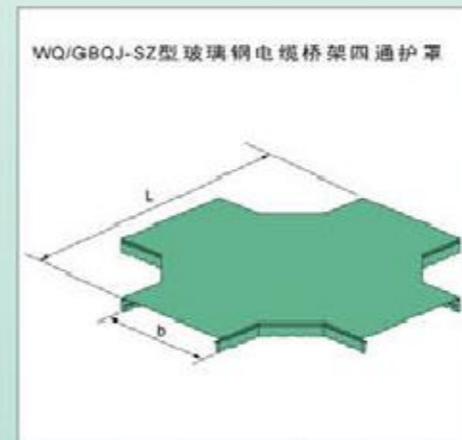
型号 Type		L (mm)	备注 Remarks
WQ/GBQJ-P1	200×100-L3	360	双排连接孔
	300×100-L3		
	400×100-L3		
	500×100-L3		
	600×100-L3		
	800×100-L3		
WQ/GBQJ-P2	200×150-L3	400	
	300×150-L3		
	400×150-L3		
WQ/GBQJ-T1	500×150-L3		
	600×150-L3		
	800×150-L3		
	200×200-L3		550
300×200-L3			
400×200-L3			
500×200-L3			
600×200-L3			
800×200-L3			



型号 Type	L (mm)	
WQ/GBQJ-SZ-200	600	700
WQ/GBQJ-SZ-300	700	800
WQ/GBQJ-SZ-400	800	900
WQ/GBQJ-SZ-500	900	1000
WQ/GBQJ-SZ-600	1000	1100
WQ/GBQJ-SZ-800	1200	1300
WQ/GBQJ-SZ-1000	1400	1500

型号 Type	L (mm)	
	I 型	II 型
WQ/GBQJ-SZ-200-L1	600	700
WQ/GBQJ-SZ-300-L1	700	800
WQ/GBQJ-SZ-400-L1	800	900
WQ/GBQJ-SZ-500-L1	900	1000
WQ/GBQJ-SZ-600-L1	1000	1100
WQ/GBQJ-SZ-800-L1	1200	1300
WQ/GBQJ-SZ-1000-L1	1400	1500

型号 Type	L1 (mm)	L2 (mm)
	WQ/GBQJ-SZ-200-T1	1200
WQ/GBQJ-SZ-300-T1	1300	800
WQ/GBQJ-SZ-400-T1	1400	900
WQ/GBQJ-SZ-500-T1	1500	1000
WQ/GBQJ-SZ-600-T1	1600	1200
WQ/GBQJ-SZ-800-T1	1800	1300
WQ/GBQJ-SZ-1000-T1	2000	1500



型号 Type	L (mm)	
	I 型	II 型
WQ/GBQJ-SZ-200-X1	1000	1200
WQ/GBQJ-SZ-300-X1	1100	1300
WQ/GBQJ-SZ-400-X1	1200	1400
WQ/GBQJ-SZ-500-X1	1300	1500
WQ/GBQJ-SZ-600-X1	1400	1600
WQ/GBQJ-SZ-800-X1	1600	1800
WQ/GBQJ-SZ-1000-X1	1800	2000

型号 Type	L (mm)		
	I 型	II 型	III 型
WQ/GBQJ-SZ-200-L2	300	450	500
WQ/GBQJ-SZ-300-L2			
WQ/GBQJ-SZ-400-L2			
WQ/GBQJ-SZ-500-L2			
WQ/GBQJ-SZ-600-L2			
WQ/GBQJ-SZ-800-L2			
WQ/GBQJ-SZ-1000-L2			

型号 Type	L (mm)		
	I 型	II 型	III 型
WQ/GBQJ-SZ-200-L3	400	550	600
WQ/GBQJ-SZ-300-L3			
WQ/GBQJ-SZ-400-L3			
WQ/GBQJ-SZ-500-L3			
WQ/GBQJ-SZ-600-L3			
WQ/GBQJ-SZ-800-L3			
WQ/GBQJ-SZ-1000-L3			

XQJ系列电缆汇线桥架简介

XQJ系列汇线桥架可分为梯级式、托盘式、槽式和组合式四种结构，是我国输配电配线普遍使用的一种老产品。产品主要特点：制作工艺简单，由于桥架承载力主要是靠钢板厚度来实现，所以，根据产品规格不同承载力的要求规定了板材的厚度，产品自然笨重厚实，与我公司开发的专利新产品—节能型轻质电缆桥架相比就显得十分笨拙，且给装卸、运输及安装带来了诸多不便，产品货真价实并不代表经济实用，但该产品曾为我国输配电行业的建设发挥了很大的作用。

随着社会的不断进步，科技发展日新月异，新工艺、新技术层出不穷，新的代替旧的，先进的代替落后的，是社会发展的必然规律，有比较才能鉴别，为了让更多用户从使用的实践中对新老产品进行比较，特将XQJ系列电缆汇线桥架的样本及数据提供给广大用户供参考使用。

Brief introduction of XQJ Series Cable Collecting Bridge Frame

XQJ Series Cable Collection Cable Bridge Frame can be divided to four configuration: Step-pattern, Salver-pattern, Trough-pattern and Combination-pattern. It's a universally used old product for wiring in our country in past. Its main characteristic are manufacturing craft is simple. The carrying capacity of bridge frame is mainly decided by the thickness of steel board, so in order to bearing great force, the steel board have to be thick, causing the product much ponderous compared with our new product Energy-saving Light Cable Bridge Frame, but it did contributed a lot to Transmission & Distribution in our country.

Along with social development, science & technology improve and new technics emerge day by day. Its more convenient to distinguish through comparism, so here we offer you catalog and statistics of XQJ Series Cable Collecting Bridge Frame for reference.

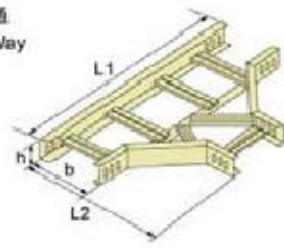
XQJ-T1-01型梯架 XQJ-T1-01 Stair Frame		型号 Type	b (mm)	h (mm)	重量kg Weight (T1-01)	重量kg Weight (T2-01)	重量kg Weight (P-01)
XQJ-T1-01	XQJ-T2-01	-6-2	200	60	12.45	12.45	20.29
		-10-2		100	16.33	16.33	28.58
		-15-2		150	24.66	24.66	34.29
	XQJ-T2-01	-6-3	300	60	13.50	13.50	29.95
		-10-3		100	17.10	17.10	33.58
		-15-3		150	25.58	25.58	40.41
XQJ-P-01	XQJ-T2-01	-6-4	400	60	21.09	21.09	45.59
		-10-4		100	24.81	24.81	51.88
		-15-4		150	30.22	30.22	59.25
	XQJ-P-01	-6-5	500	60	25.66	25.66	53.30
		-10-5		100	27.08	27.08	59.26
		-15-5		150	32.50	32.50	66.84
XQJ-P-01	XQJ-T2-01	-6-6	600	60	25.67	25.67	65.69
		-10-6		100	29.47	29.47	66.86
		-15-6		150	34.77	34.77	74.41
	XQJ-P-01	-6-8	800	60	31.82	31.82	75.85
		-10-8		100	37.05	37.05	82.03
		-15-8		150	43.55	43.55	94.19

说明：高度h=60、100为单排连接孔，高h=150为双排连接孔

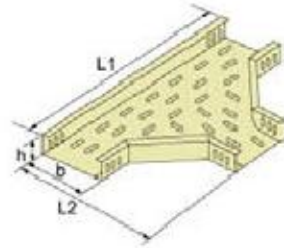
XQJ-T1-02型水平弯通 XQJ-T1-02 Horizontally Curved		型号 Type	b (mm)	h (mm)	L (mm)	重量kg Weight (T1-02)	重量kg Weight (P-02)
XQJ-T1-02	XQJ-T1-02	-6-2	200	60	500	5.21	7.62
		-10-2		100		6.15	9.23
		-15-2		150		11.04	14.49
	XQJ-T1-02	-6-3	300	60	600	6.84	10.93
		-10-3		100		7.90	13.12
		-15-3		150		13.23	20.10
XQJ-P-02	XQJ-T1-02	-6-4	400	60	700	11.14	22.11
		-10-4		100		12.91	25.07
		-15-4		150		16.64	34.05
	XQJ-P-02	-6-5	500	60	800	13.26	29.00
		-10-5		100		14.08	32.42
		-15-5		150		19.15	42.48
XQJ-P-02	XQJ-T1-02	-6-6	600	60	900	15.35	36.65
		-10-6		100		17.49	40.33
		-15-6		150		21.64	51.28
	XQJ-P-02	-6-8	800	60	1100	19.83	48.15
		-10-8		100		22.09	53.82
		-15-8		150		26.65	72.70

说明：高度h=60、100为单排连接孔，高h=150为双排连接孔

XQJ-T1-03型水平三通
XQJ-T1-03 Horizontal 3-Way

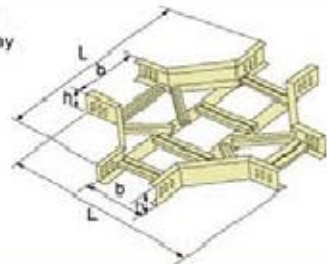


XQJ-P-03 型水平三通
XQJ-P-03 Horizontal 3-Way

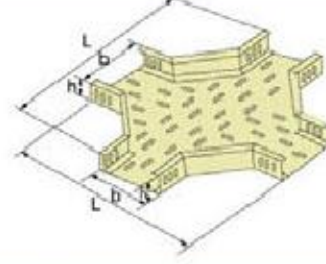


型号 Type	b (mm)	h (mm)	L (mm)	L2 (mm)	重量kg Weight (T1-03)	重量kg Weight (P-03)	备注 Remarks
XQJ-T1-03	200	-6-2	60	800	7.59	11.52	说明: 高度 h=80, 100为 单排连接孔, 高h=150为双 排连接孔
		-10-2	100	800	9.43	16.22	
		-15-2	150	1000	17.02	24.43	
	300	-6-3	60	900	9.66	18.86	
		-10-3	100	900	10.93	21.11	
		-15-4	150	1100	18.75	30.35	
XQJ-P-03	400	-6-4	60	1000	15.53	30.29	
		-10-4	100	1000	17.38	33.59	
		-15-4	150	1200	22.71	48.01	
	500	-6-5	60	1100	17.87	38.15	
		-10-5	100	1300	20.10	41.77	
		-15-5	150	1300	25.59	55.73	
	600	-6-6	60	1200	20.52	46.54	
		-10-6	100	1200	22.85	50.34	
		-15-6	150	1000	28.46	68.31	
	800	-6-8	60	1400	25.76	66.21	
		-10-8	100	1100	28.32	69.98	
		-15-8	150	1600	34.20	80.83	

XQJ-T1-04型水平四通
XQJ-T1-04 Horizontal 4-Way

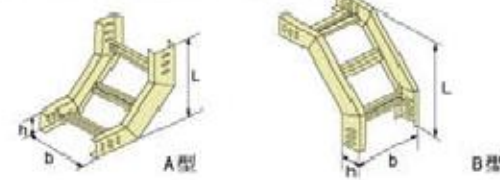


XQJ-P-04型水平四通
XQJ-P-04 Horizontal 4-Way

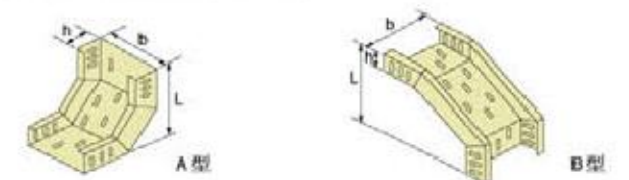


型号 Type	b (mm)	h (mm)	L (mm)	重量kg Weight (T1-04)	重量kg Weight (P-04)	备注 Remarks	
XQJ-T1-04	200	-6-2	60	800	9.95	14.79	说明: 高度 h=80, 100为 单排连接孔, 高h=150为双 排连接孔
		-10-2	100	800	11.95	20.18	
		-15-2	150	1000	21.11	31.88	
	300	-6-3	60	900	12.04	23.28	
		-10-3	100	900	13.64	25.70	
		-15-4	150	1100	22.79	37.39	
	400	-6-4	60	1000	19.58	34.52	
		-10-4	100	1000	21.70	39.57	
		-15-4	150	1200	27.55	58.03	
XQJ-P-04	500	-6-5	60	1100	22.99	45.05	
		-10-5	100	1100	25.09	48.84	
		-15-5	150	1300	30.95	68.21	
	600	-6-6	60	1200	26.38	54.29	
		-10-6	100	1200	28.47	57.85	
		-15-6	150	1000	34.34	79.38	
	800	-6-8	60	1400	33.14	75.84	
		-10-8	100	1100	35.26	78.87	
		-15-8	150	1600	41.10	103.40	

XQJ-T1-05A, B型垂直弯通
XQJ-T1-05A, B Vertical Curved-Way

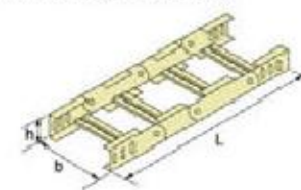


XQJ-P-05A, B型垂直弯通
XQJ-P-05A, B Vertical Curved-Way

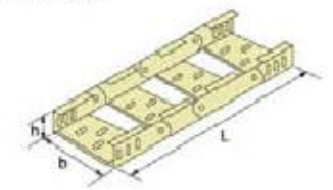


型号 Type	b (mm)	h (mm)	L (mm)	重量kg Weight (T1-05A, B)	重量kg Weight		备注 Remarks	
					P-05A	P-05B		
XQJ-T1-05A	200	-6-2	60	360	3.76	5.97	说明: 高度 h=80, 100为 单排连接孔, 高h=150为双 排连接孔	
		-10-2	100	400	4.92	8.50		
		-15-2	150	550	9.67	15.32		
	300	-6-3	60	360	4.58	8.34		
		-10-3	100	400	5.53	10.46		
		-15-4	150	550	10.76	17.37		
	XQJ-T1-05B	400	-6-4	60	360	7.12		13.57
			-10-4	100	400	8.52		16.36
			-15-4	150	550	11.90		25.24
	XQJ-P-05A	500	-6-5	60	360	8.45		15.95
			-10-5	100	400	9.49		18.80
			-15-5	150	550	12.81		28.75
XQJ-P-05B	600	-6-6	60	360	9.07	29.99		
		-10-6	100	400	10.48	32.92		
		-15-6	150	550	13.86	45.41		
	800	-6-8	60	360	11.02	38.56		
		-10-8	100	400	12.41	41.83		
		-15-8	150	550	15.80	56.91		

XQJ-T1-05C型垂直转动弯通
XQJ-T1-05C Vertical Turning Curved-Way



XQJ-P-05C型垂直转动弯通
XQJ-P-05C Vertical Turning Curved-Way



型号 Type	b (mm)	h (mm)	L (mm)	重量kg Weight (T1-05C)	重量kg Weight (P-05C)	备注 Remarks	
XQJ-T1-05C	200	-6-2	60	660	5.35	8.13	说明: 高度 h=80, 100为 单排连接孔, 高h=150为 双排连接孔
		-10-2	100	660	7.53	11.37	
		-15-2	150	700	15.89	19.35	
	300	-6-3	60	950	7.53	9.49	
		-10-3	100	950	9.80	13.24	
		-15-4	150	660	16.45	22.14	
	400	-6-4	60	700	10.20	20.15	
		-10-4	100	700	13.05	22.87	
		-15-4	150	950	19.99	37.05	
XQJ-P-05C	500	-6-5	60	660	11.35	22.81	
		-10-5	100	660	13.96	25.52	
		-15-5	150	700	18.64	40.92	
	600	-6-6	60	950	14.23	25.52	
		-10-6	100	950	17.62	28.36	
		-15-6	150	660	19.53	43.53	
	800	-6-8	60	660	15.18	30.86	
		-10-8	100	700	18.25	34.05	
		-15-8	150	950	25.19	52.50	



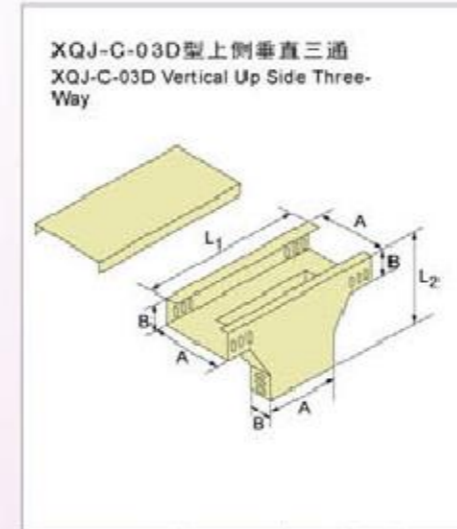
型号 Type	规格 Standard A×B	重量kg Weight
XQJ-C-01A	-1 50×25	10.06
	-2 100×50	16.10
	-3 150×75	23.98
	-4 200×100	38.07
	-5 250×125	42.67
	-6 300×150	50.03
	-7 400×200	82.80
	-8 500×200	94.10
	-9 600×200	106.31
	-10 800×200	130.61



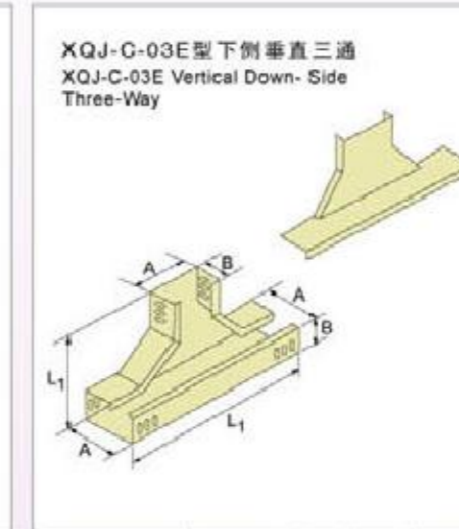
型号 Type	规格 Standard		重量kg Weight
	A×B	A1×B1	
XQJ-C-01B	-1 50×25	47×22	0.23
	-2 100×50	97×47	0.34
	-3 150×75	147×72	0.49
	-4 200×100	196×96	0.98
	-5 250×125	246×121	2.05
	-6 300×150	296×146	2.42
	-7 400×200	395×195	4.23
	-8 500×200	495×195	4.72
	-9 600×200	595×195	5.57
	-10 800×200	795×195	6.80



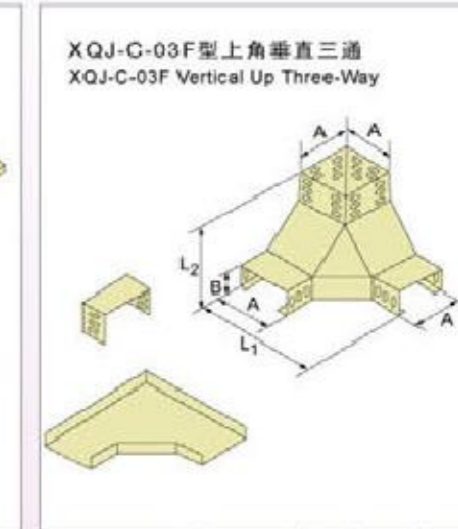
型号 Type	规格 Standard A×B	L (mm)	重量kg Weight
XQJ-C-02A	-1 50×25	150	1.38
	-2 100×50	300	4.54
	-3 150×75	350	6.84
	-4 200×100	450	13.36
	-5 250×125	500	16.68
	-6 300×150	650	24.38
	-7 400×200	800	48.13
	-8 500×200	900	54.66
	-9 600×200	1000	68.89
	-10 800×200	1200	107.13



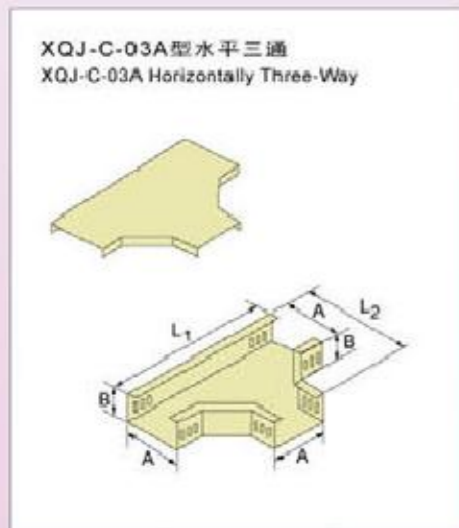
型号 Type	规格 Standard A×B	L1 (mm)	L2 (mm)	重量kg Weight
XQJ-C-03D	-1 50×25	250	125	1.54
	-2 100×50	500	250	4.98
	-3 150×75	550	275	7.36
	-4 200×100	700	350	14.42
	-5 250×125	750	375	17.60
	-6 300×150	1000	500	27.08
	-7 400×200	1200	600	50.78
	-8 500×200	1300	600	62.97
	-9 600×200	1400	600	82.02
	-10 800×200	1600	600	109.6



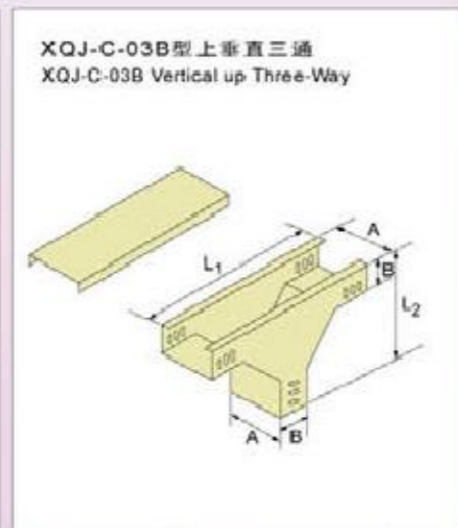
型号 Type	规格 Standard A×B	L1 (mm)	L2 (mm)	重量kg Weight
XQJ-C-03E	-1 50×25	250	125	1.55
	-2 100×50	500	250	5.18
	-3 150×75	550	275	7.94
	-4 200×100	700	350	15.18
	-5 250×125	750	375	18.34
	-6 300×150	1000	500	29.56
	-7 400×200	1200	600	56.99
	-8 500×200	1300	600	63.62
	-9 600×200	1400	600	75.6
	-10 800×200	1600	600	102.47



型号 Type	规格 Standard A×B	L1 (mm)	L2 (mm)	重量kg Weight
XQJ-C-03F	-1 50×25	150	125	1.82
	-2 100×50	300	250	5.92
	-3 150×75	350	275	9.18
	-4 200×100	450	350	17.1
	-5 250×125	500	375	22.08
	-6 300×150	650	500	35.10
	-7 400×200	800	600	65.26
	-8 500×200	900	600	70.15
	-9 600×200	1000	600	103.25
	-10 800×200	1200	600	140.21



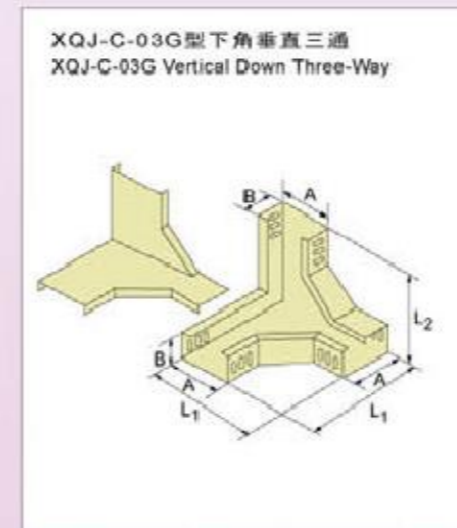
型号 Type	规格 Standard A×B	L1 (mm)	L2 (mm)	重量kg Weight
XQJ-C-03A	-1 50×25	150	250	1.92
	-2 100×50	300	500	5.81
	-3 150×75	350	550	8.68
	-4 200×100	450	700	14.84
	-5 250×125	500	750	19.12
	-6 300×150	650	1000	32.49
	-7 400×200	800	1200	57.78
	-8 500×200	900	1300	70.13
	-9 600×200	1000	1400	90.09
	-10 800×200	1200	1600	117.50



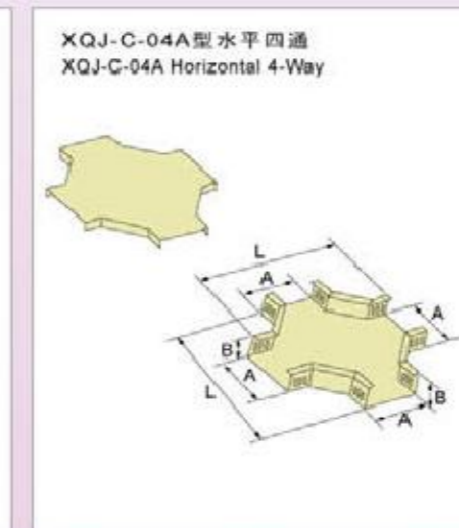
型号 Type	规格 Standard A×B	L1 (mm)	L2 (mm)	重量kg Weight
XQJ-C-03B	-1 50×25	225	125	1.35
	-2 100×50	450	250	4.62
	-3 150×75	475	275	7.39
	-4 200×100	600	350	13.32
	-5 250×125	625	375	16.53
	-6 300×150	850	500	25.88
	-7 400×200	1000	600	46.46
	-8 500×200	1000	600	51.18
	-9 600×200	1000	600	57.79
	-10 800×200	1000	600	72.37



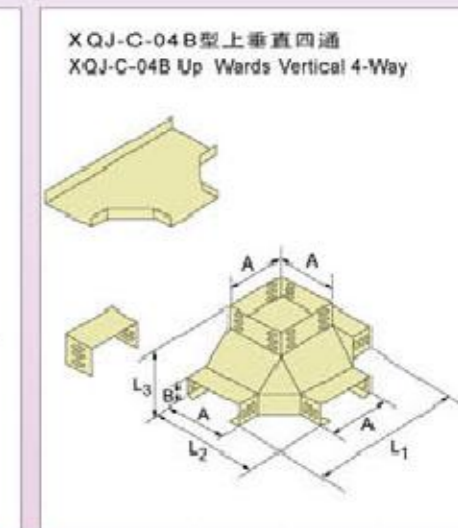
型号 Type	规格 Standard A×B	L1 (mm)	L2 (mm)	重量kg Weight
XQJ-C-03C	-1 50×25	225	125	1.32
	-2 100×50	450	250	4.68
	-3 150×75	475	275	6.7
	-4 200×100	600	350	13.34
	-5 250×125	625	375	16.22
	-6 300×150	850	500	24.50
	-7 400×200	1000	600	44.69
	-8 500×200	1000	600	50.23
	-9 600×200	1000	600	59.41
	-10 800×200	1000	600	71.82



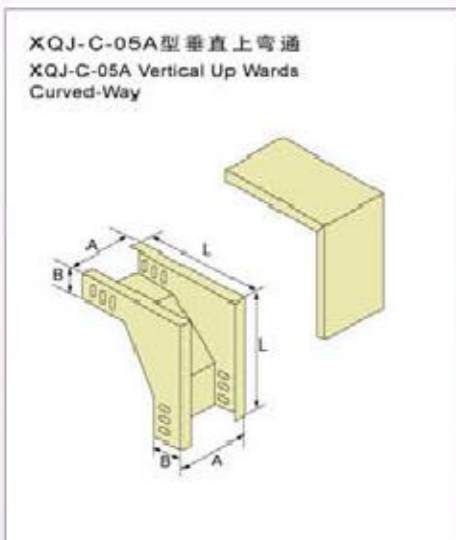
型号 Type	规格 Standard A×B	L1 (mm)	L2 (mm)	重量kg Weight
XQJ-C-03G	-1 50×25	150	125	1.35
	-2 100×50	300	250	5.06
	-3 150×75	350	275	7.64
	-4 200×100	450	350	14.95
	-5 250×125	500	375	18.34
	-6 300×150	650	500	29.44
	-7 400×200	800	600	54.97
	-8 500×200	900	600	68.84
	-9 600×200	1000	600	79.09
	-10 800×200	1200	600	107.12



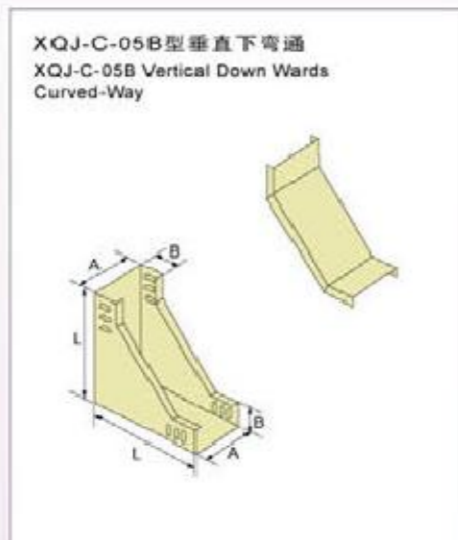
型号 Type	规格 Standard A×B	L (mm)	重量kg Weight
XQJ-C-04A	-1 50×25	125	2.00
	-2 100×50	500	8.12
	-3 150×75	550	10.87
	-4 200×100	700	19.58
	-5 250×125	750	24.64
	-6 300×150	1000	41.17
	-7 400×200	1200	72.5
	-8 500×200	1300	86.23
	-9 600×200	1400	108.19
	-10 800×200	1600	143.85



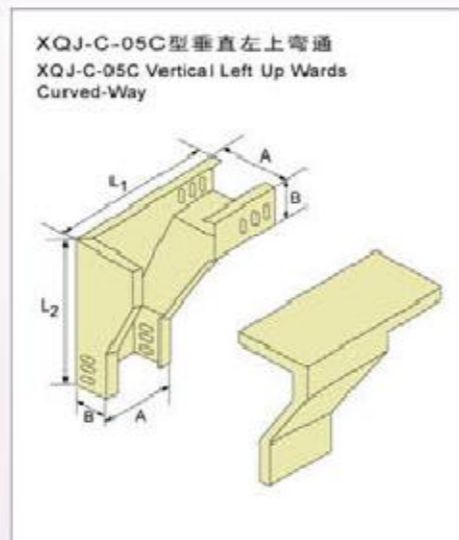
型号 Type	规格 Standard A×B	L1 (mm)	L2 (mm)	L3 (mm)	重量kg Weight
XQJ-C-04B	-1 50×25	250	150	125	2.07
	-2 100×50	500	300	250	7.21
	-3 150×75	550	350	275	11.04
	-4 200×100	700	450	350	20.18
	-5 250×125	750	500	375	25.73
	-6 300×150	1000	650	500	41.69
	-7 400×200	1200	800	600	76.06
	-8 500×200	1300	900	600	90.78
	-9 600×200	1400	1000	600	112.94
	-10 800×200	1600	1200	600	155.08



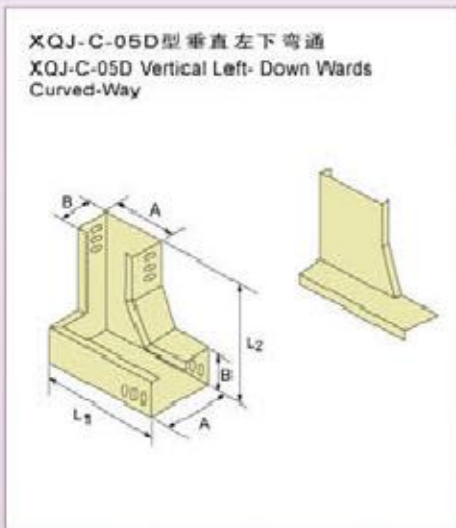
型号 Type	规格 Standard A×B	L (mm)	重量kg Weight	
XQJ-C-05A	-1	50×25	125	1.09
	-2	100×50	250	3.36
	-3	150×75	275	5.98
	-4	200×100	350	11.17
	-5	250×125	375	13.52
	-6	300×150	500	20.30
	-7	400×200	600	36.23
	-8	500×200	600	40.77
	-9	600×200	600	52.47
	-10	800×200	600	68.77



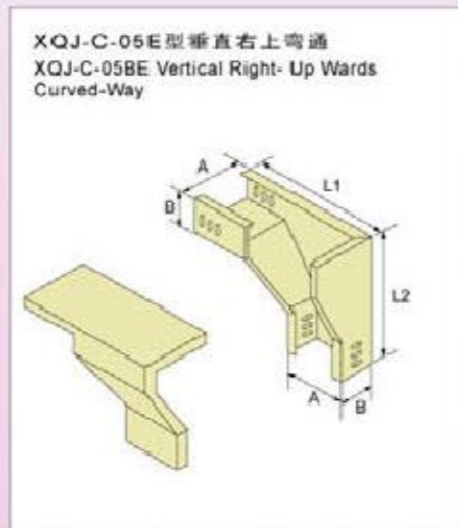
型号 Type	规格 Standard A×B	L (mm)	重量kg Weight	
XQJ-C-05B	-1	50×25	125	0.86
	-2	100×50	250	3.61
	-3	150×75	275	5.92
	-4	200×100	350	10.99
	-5	250×125	375	12.58
	-6	300×150	500	20.21
	-7	400×200	600	36.72
	-8	500×200	600	42.06
	-9	600×200	600	48.90
	-10	800×200	600	60.77



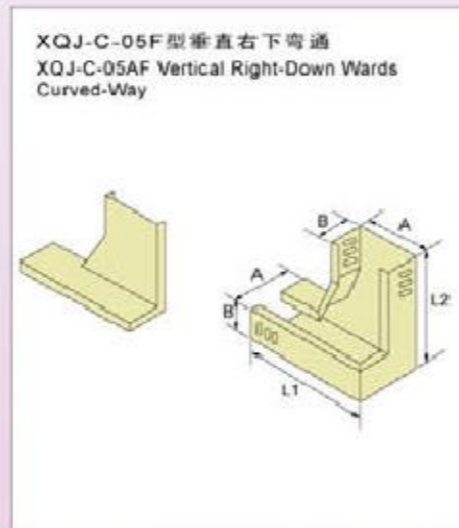
型号 Type	规格 Standard A×B	L1 (mm)	L2 (mm)	重量kg Weight	
XQJ-C-05C	-1	50×25	150	100	0.97
	-2	100×50	300	200	3.39
	-3	150×75	350	250	5.82
	-4	200×100	450	300	11.40
	-5	250×125	500	350	15.27
	-6	300×150	650	500	22.32
	-7	400×200	800	600	46.01
	-8	500×200	900	700	63.09
	-9	600×200	1000	800	79.81
	-10	800×200	1200	1000	105.25



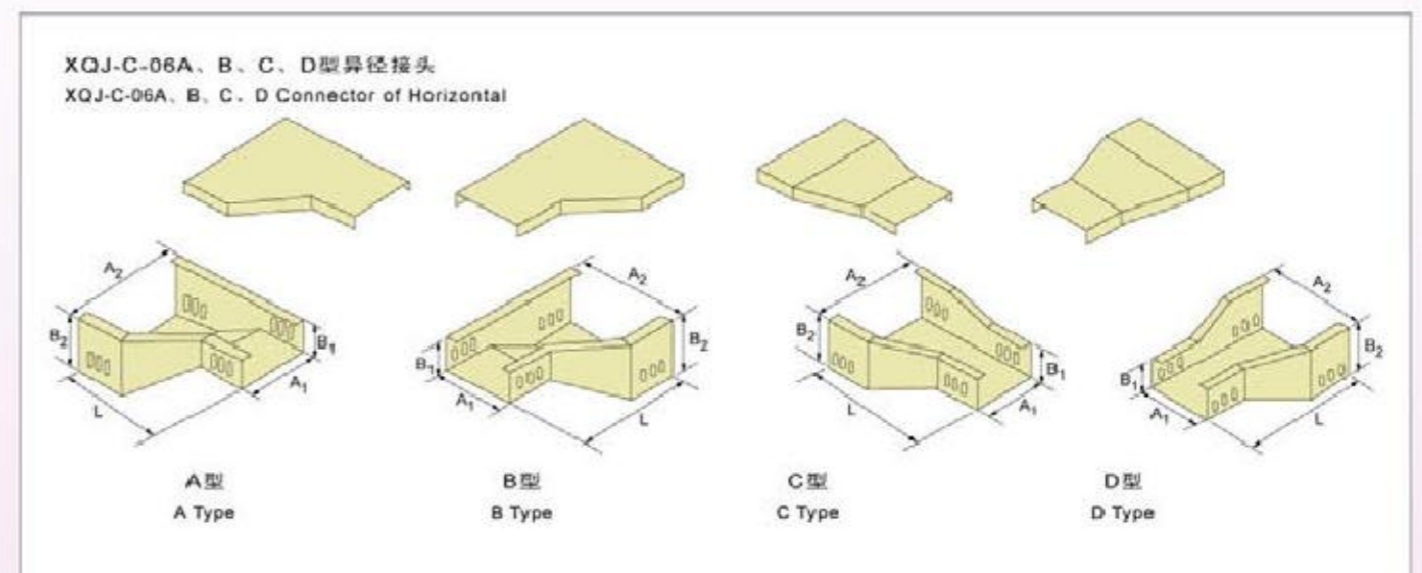
型号 Type	规格 Standard A×B	L1 (mm)	L2 (mm)	重量kg Weight	
XQJ-C-05D	-1	50×25	150	125	1.06
	-2	100×50	300	250	4.03
	-3	150×75	350	275	6.19
	-4	200×100	450	350	11.80
	-5	250×125	500	375	14.66
	-6	300×150	650	500	23.40
	-7	400×200	800	600	45.83
	-8	500×200	900	600	50.22
	-9	600×200	1000	600	64.86
	-10	800×200	1200	600	90.56



型号 Type	规格 Standard A×B	L1 (mm)	L2 (mm)	重量kg Weight	
XQJ-C-05E	-1	50×25	150	100	0.97
	-2	100×50	300	200	3.39
	-3	150×75	350	250	5.82
	-4	200×100	450	300	11.40
	-5	250×125	500	350	15.27
	-6	300×150	650	500	22.32
	-7	400×200	800	600	46.01
	-8	500×200	900	700	63.09
	-9	600×200	1000	800	79.81
	-10	800×200	1200	1000	105.25



型号 Type	规格 Standard A×B	L1 (mm)	L2 (mm)	重量kg Weight	
XQJ-C-05F	-1	50×25	150	125	1.06
	-2	100×50	300	250	4.03
	-3	150×75	350	275	6.19
	-4	200×100	450	350	11.80
	-5	250×125	500	375	14.66
	-6	300×150	650	500	23.40
	-7	400×200	800	600	45.83
	-8	500×200	900	600	50.22
	-9	600×200	1000	600	64.86
	-10	800×200	1200	600	90.56



型号 Type	规格 Standard		L (mm)	重量 Weight
	A1×B1	A2×B2		
XQJ-C-06A XQJ-C-06B XQJ-C-06C XQJ-C-06D	-1	50×25 -- 100×50	200	1.127
	-2	50×25 -- 150×75	250	2.024
	-3	50×25 -- 200×100	300	4.00
	-4	50×25 -- 250×125	350	5.68
	-5	50×25 -- 300×150	500	9.55
	-6	50×25 -- 400×200	600	19.26
	-7	50×25 -- 500×200	700	25.82
	-8	50×25 -- 600×200	800	33.42
	-9	50×25 -- 800×200	1000	49.40
	-10	100×25 -- 150×75	250	2.00
	-11	100×50 -- 200×100	300	3.77
	-12	100×50 -- 250×125	350	5.43
	-13	100×50 -- 300×150	500	9.12
	-14	100×50 -- 400×200	600	18.03
	-15	100×50 -- 500×200	700	27.16
	-16	100×50 -- 600×200	800	34.42
	-17	100×50 -- 800×200	1000	53.53
	-18	150×75 -- 200×100	250	3.29
	-19	150×75 -- 250×125	300	4.77
	-20	150×75 -- 300×150	450	8.88
	-21	150×75 -- 400×200	550	18.02
	-22	150×75 -- 500×200	650	24.63
	-23	150×75 -- 600×200	750	32.34
	-24	150×75 -- 800×200	950	50.90
	-25	200×100 -- 250×125	250	4.16
	-26	200×100 -- 300×150	400	7.87
	-27	200×100 -- 400×200	500	16.49
	-28	200×100 -- 500×200	600	22.87
	-29	200×100 -- 600×200	700	30.30
	-30	200×100 -- 800×200	900	48.35
	-31	250×125 -- 300×150	350	7.03
	-32	250×125 -- 400×200	450	15.02
	-33	250×125 -- 500×200	550	21.07
	-34	250×125 -- 600×200	650	28.22
	-35	250×125 -- 800×200	850	45.75
	-36	300×150 -- 400×200	500	16.08
	-37	300×150 -- 500×200	600	21.88
	-38	300×150 -- 600×200	700	28.82
	-39	300×150 -- 800×200	900	44.03
	-40	400×200 -- 500×200	500	19.19
	-41	400×200 -- 600×200	600	25.58
	-42	400×200 -- 800×200	800	41.94
	-43	500×200 -- 600×200	500	26.83
	-44	500×200 -- 800×200	700	36.73
	-45	600×200 -- 800×200	900	47.61

XQJ-ZH-01A型组合式电缆桥架
Combination Cable Bridges

型号 Type	规格 Standard b×h	备注 Remarks
ZH-01A-100	100×25	
ZH-01A-150	150×25	
ZH-01A-200	200×25	

XQJ-ZH-01B型组合式电缆桥架
Combination Cable Bridges

型号 Type	规格 Standard b×h	备注 Remarks
ZH-01B-100	100×25	
ZH-01B-150	150×25	
ZH-01B-200	200×25	

XQJ-ZH-02配线桥架
Allocate Cable Bridges

型号 Type	规格 Standard	支撑距离“X”时电缆负载能力 Load Capacity of Cabal When Sporting Drtanter is “X”						备注 Remarks
		1.5m	2m	2.5m	3m	3.5m	4m	
ZH-02A	50×50	50	30	19	9	5	3	
ZH-02B	50×50	60	33	18	10	6	4	

XQJ-ZH-03配线桥架
Allocate Cable Bridges

型号 Type	规格 Standard	支撑距离“X”时电缆负载能力 Load Capacity of Cabal When Sporting Drtanter is “X”						备注 Remarks
		1.5m	2m	2.5m	3m	3.5m	4m	
ZH-03A	100×50	67	38	20	12	7	5	
ZH-03B	100×50	83	50	28	16	10	7	

XQJ-ZH-04配线桥架
Weir-Fittings Bridge frame

型号 Type	规格 Standard	参考价元/件	备注 Remarks
ZH-04	50×25		

XQJ-ZH-05连接板
Connecting Plates

型号 Type	规格 Standard	参考价元/件	备注 Remarks
ZH-05	25×25		

XQJ-ZH-06连接片
Connecting Flake

型号 Type	规格 Standard	参考价元/件	备注 Remarks
ZH-06	24×70		

XQJ-ZH-07连接板
Connecting Flake

XQJ-ZH-08管接头
Pipe Joint

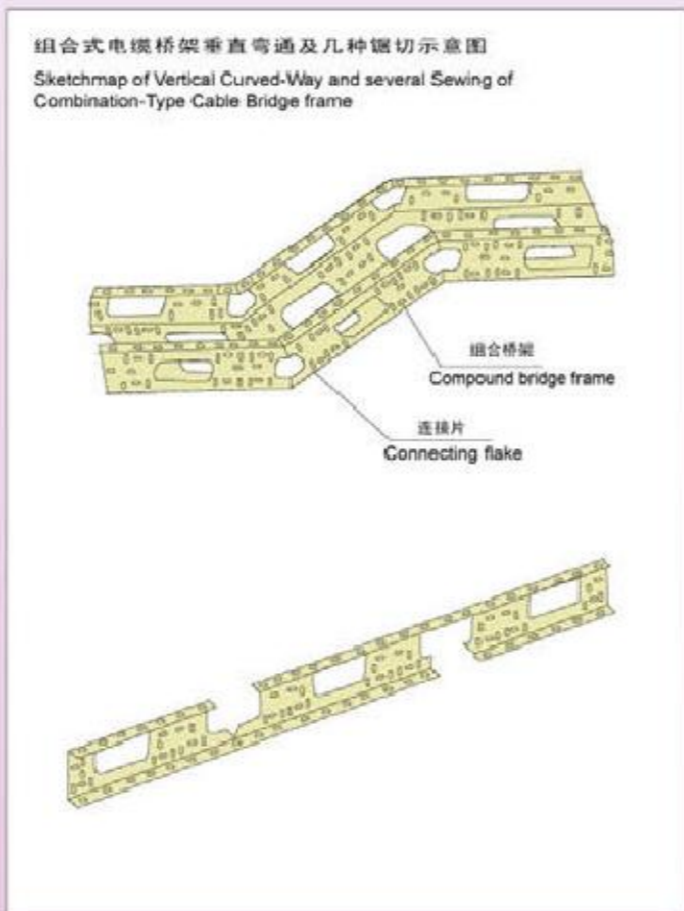
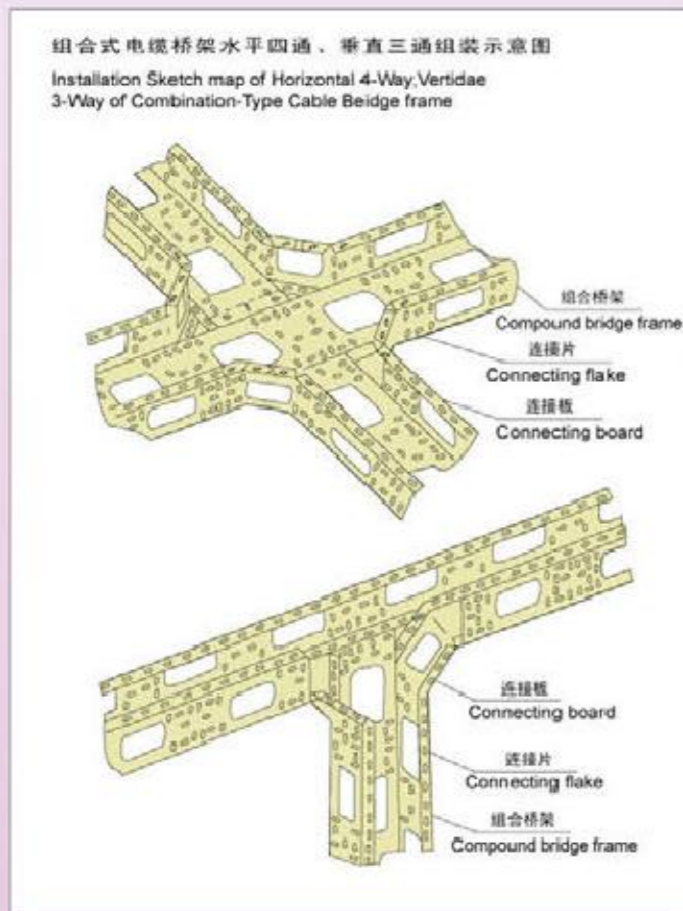
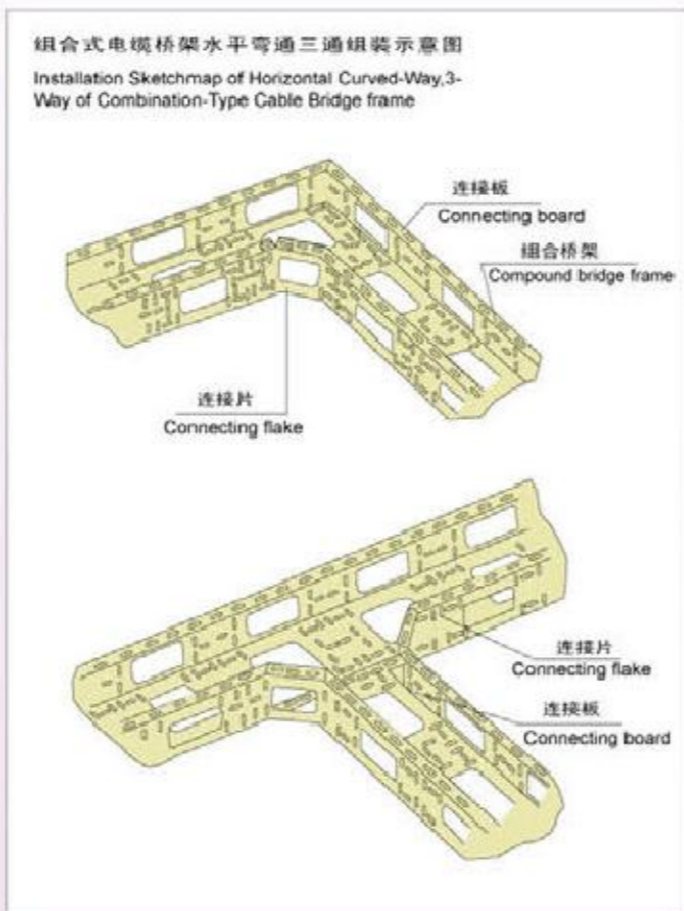
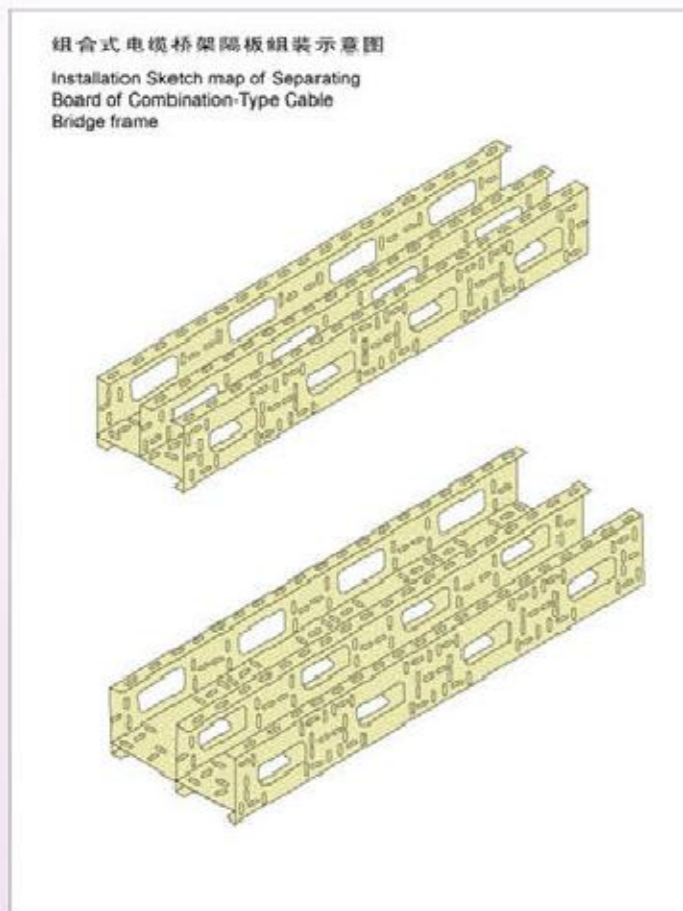
XQJ-ZH-09U型管卡
U-Shaped Pipe calliper

型号 Type	参考价元/片	备注 Remarks	配管 Con- certed pipe	安装尺寸 Size of installation		配管 Con- certed Pipe	安装尺寸 Size of installation		型号 Type	规格 Standard		配用引线管径			
				L (mm)	h (mm)		L (mm)	h (mm)		Φ	L				
ZH-07	4														
XQJ-ZH-10A扣锁 XQJ-ZH-10A Locke			G1/2"	122	74	G11/2"	122	124	ZH-09-22	22	31	1/2"			
									ZH-09-27	27	34	3/4"			
									ZH-09-34	34	37	1"			
									ZH-09-49	49	45	1 1/2"			
									ZH-09-61	61	50	2"			
			G3/4"	122	124	G1"	122	174	G11/2"	122	124	ZH-09-76	76	57	2 1/2"
												ZH-09-89	89	64	3"

XQJ-ZH-10盖板
Covers

型号 Type	b (mm)	重量kg Weight	备注 Remarks
ZH-10-50	55	3.40	订货时请注明配套使用的组合式电缆桥架的组合形式：A、B、C、D、E b宽度根据组合形式：A型加3mm、B、C、型加5mm；D型加48mm、E型加51mm
ZH-10-100	105	5.20	
ZH-10-150	155	7.66	
ZH-10-200	205	10.83	
ZH-10-300	305	15.16	
ZH-10-400	405	19.86	
ZH-10-500	505	24.37	
ZH-10-600	605	35.21	
ZH-10-700	705	41.88	
ZH-10-800	805	47.39	

组合式直通桥架组装示意图
Installation Sketch Map of Combination-Type Straight-Way Bridge frame



XQJ-ZH型组合式电缆桥架组合形式及配附件数量表

The List of combination forms of XQJ-ZH combination-Type Cable Bridgeframe and the numbers of its fittings

序号 NO.	形成 Moder	底版与侧边的配制图 The diram of clmounding between bottom board side board		底版宽 Width of bottom board (mm)	底版h(数量) Numbers of bottom board			侧边数量 Numbers of Side board	连接螺栓 连接螺栓		单价元/件 Unit pvice Yuan/piece
					100	150	200		规格 Standard	数量 (mm) Numbers/m	
1001	A	[]	[]	103	1			2		61.77	
1002				153		1		2	6	86.16	
1003				203			1	2	(14)	110.54	
1004				303			2		9	123.55	
1005				403				2	(19)	156.06	
1006				503				2	12	178.82	
1007				603				2	(24)	195.08	
2008	B	[]	[]	205	2			3	162.56		
2009				305		2		3	9	178.82	
2010				405			2	3	(21)	195.08	
2011				505		2	1	3	12	217.84	
2012				605			3	3	(26)	234.09	
2013				805				4	18(31)	273.11	
3014				C	[]	[]	306	3			4
3015	458		3					4	(28)	248.72	
3016	606						3	4		273.11	
3017	806						4	4	15(33)	312.12	
3018	1006						5	4	18(38)	351.14	
3019	1206						6	4	21(43)	390.15	
4020	D	[]	[]				153	1			4
4021				203		1		4	(24)	186.95	
4022				253			1	4		162.56	
4023				353			2	4	20	217.84	
4024				453				2	(30)	234.19	
5025				256	2			6	24	279.61	
5026				356		2		6	(36)	295.07	
5027	456			2	6		312.12				
5028	E	[]	[]	656		4		6	32	357.64	
5029				856			4	6	(48)	390.15	

XQJ-ZH型组合式电缆桥架不同跨距的载荷

The List of combination forms of XQJ-ZH combination-Type Cable Bridgeframe and the numbers of its fittings

序号 NO.	形成 Moder	h=100时在不同跨距下允许均布载荷 The permitted well distributed load at different span when b=100					h=150时在不同跨距下允许均布载荷 The permitted well distributed load at different span when b=150					h=200时在不同跨距下允许均布载荷 The permitted well distributed load at different span when b=200					备注 Remarks	
		2.0 m	2.5 m	3.0 m	4.0 m	6.0 m	2.0 m	2.5 m	3.0 m	4.0 m	6.0 m	2.0 m	2.5 m	3.0 m	4.0 m	6.0 m		
1001	A	167	105	77	38	-	239	151	105	56	-	483	306	208	116	48		
1002																		
1003																		
1004		163	101	67	34	-	237	148	101	54	-	481	304	206	114	-		
1005																		
1006		161	99	65	-	-	235	147	99	52	-	479	302	204	112	-		
1007																		
2008	B	204	149	100	53	-	311	226	155	84	32	509	459	316	173	71		
2009																		
2010																		
2011		202	147	98	51	-	309	224	153	82	30	507	457	314	171	69		
2012																		
2013		200	145	96	49	-	307	222	151	80	-	555	455	312	164	67		
3014		C	255	193	131	69	-	398	302	206	110	42		612	420	230	94	
3015																		
3016																		
3017	249		187	125	63	-	396	300	204	108	40		608	416	226	90		
3018	247		185	123	61	-	394	298	202	106	38		604	412	222	86		
3019	245		183	121	59	-	392	296	200	104	36		600	408	208	82		
4020	D		281	213	145	71	31	306	210	114	46		613	424	235	97		
4021																		
4022																		
4023		279	212	143	75	29	302	206	110	42		609	420	231	93			
4024																		
5025		E		316	216	116	45		312	169	67			635	351	147		
5026																		
5027																		
5028																		
5029	312		212	112	41		308	165	63				632	347	142			

产品外型 Width-Adjusting Flake	型号 Type	侧边高H (mm)	H1 (mm)	B1 (mm)	安装图例
	TPC-01A-100	75	50	100	
	TPC-01A-150			150	
	TPC-01A-200			200	
	TPC-01A-300			300	
	TPC-01A-400			400	
	TPC-01A-500			500	
TPC-01A-600	600				

产品外型 Height-Adjusting Flake	型号 Type	H1 (mm)	H2 (mm)	L (mm)	重量kg Weight	安装图例
	TPC-01B-75/100	50	75	182		
	TPC-01B-75/150	50	125	282		
	TPC-01B-75/200	50	175			
	TPC-01B-100/150	75	125			
	TPC-01B-100/200	75	175			
	TPC-01B-150/200	125	175			

产品外型 Straight Connecting Flake	型号 Type	侧边高H (mm)	L (mm)	H1 (mm)	重量kg Weight	安装图例
	TPC-02-50	50.60	182	35		
	TPC-02-75	75		50		
	TPC-02-100	100		75		
	TPC-02-125	125		100		
	TPC-02-150	150		125		
	TPC-02-200	200		175		

产品外型 Curved Connecting Flake	型号 Type	H (mm)	L1 (mm)	L2 (mm)	重量kg Weight	安装图例
	TPC-03-50	25	91	200		
	TPC-03-75	50				
	TPC-03-100	75				
	TPC-03-150	125				
	TPC-03-200	175				

产品外型 Angle-Adjusting Flake	型号 Type	侧边高H (mm)	H (mm)	L2 (mm)	重量kg Weight	安装图例
	TPC-04-75	75	50	166		
	TPC-04-100	100	75	191		
	TPC-04-150	150	125	341		
	TPC-04-200	200	175	391		

产品外型 Fixed Pressed Plate	说明	安装图例
	<p>TPC-05固定压板，主要用于梯级式桥架与托臂压固及梯级式桥架垂直安装时与墙壁固定</p> <p>TPC-05 fixing pressed board is mainly using the fixing of stair-type bridgeframe with brack elarm and the fixing of stair-type bridgeframe with wall when installed vertically</p>	

产品外型 Separating Plates	型号 Type	H1 (mm)	H (mm)	重量kg Weight	安装图例
	TPC-07-75	75	40		
	TPC-07-100	100	100		
	TPC-07-400	150	120		
	TPC-07-500	200	170		

产品外型 Pipe joint	型号 Type	G	M	d	安装图例
	TPC-13-1/2"	1/2"	M22×1	18	
	TPC-13-3/4"	3/4"	M27×1.5	22	
	TPC-13-1"	1"	M33×1.5	28	
	TPC-13-1 1/2"	1 1/2"	M48×2	38	
	TPC-13-2"	2"	M56×2	48	

产品外型 Straight-Way-Shield	型号 Type	B (mm)	重量kg Weight	备注 Remarks
	TPC-08-2	200	10.83	
	TPC-08-3	300	15.15	
	TPC-08-4	400	19.86	
	TPC-08-5	500	24.37	
	TPC-08-6	600	35.21	
	TPC-08-8	800	47.39	
	TPC-08-9	900	57.68	
	TPC-08-10	1000	68.93	

产品外型 Crooked-Way-Shield	型号 Type	B (mm)	L (mm)	重量kg Weight
	TPC-09-2	200	600 700	4.14
	TPC-09-3	300	700 800	6.42
	TPC-09-4	400	800 900	12.02
	TPC-09-5	500	900 1000	15.96
	TPC-09-6	600	1000 1100	22.24
	TPC-09-8	800	1200 1300	34.23
	TPC-09-9	900	1300 1400	45.87
	TPC-09-10	1000	1400 1500	57.55

产品外型 Three-Way-Shield	型号 Type	B (mm)	L1 (mm)	L2 (mm)	重量kg Weight
	TPC-10-2	200	700	1200	7.36
	TPC-10-3	300	800	1300	10.81
	TPC-10-4	400	900	1400	20.42
	TPC-10-5	500	1000	1500	25.52
	TPC-10-6	600	1200	1600	34.05
	TPC-10-8	800	1300	1800	46.61
	TPC-10-9	900	1400	1900	56.28
	TPC-10-10	1000	1500	2000	68.43

产品外型 Four-Way-Shield	型号 Type	B (mm)	L (mm)	重量kg Weight
	TPC-11-2	200	1000 1200	10.71
	TPC-11-3	300	1100 1300	14.19
	TPC-11-4	400	1200 1400	21.15
	TPC-11-5	500	1300 1500	31.89
	TPC-11-6	600	1400 1600	42.12
	TPC-11-8	800	1600 1800	57.72
	TPC-11-9	900	1700 1900	69.26
	TPC-11-10	1000	1800 2000	82.09

产品外型 Vertical-Crooked-Way Shield	型号 Type	B (mm)	L (mm)	重量kg Weight
	TPC-12A-2	200		3.32
	TPC-12A-3	300		4.69
	TPC-12A-4	400		8.11
	TPC-12A-5	500	300 450 500	9.96
	TPC-12A-6	600		11.93
	TPC-12A-8	800		15.46
	TPC-12A-9	900		16.74
	TPC-12A-10	1000		19.18

产品外型 Vertical-Crooked-Way Shield	型号 Type	B (mm)	L (mm)	重量kg Weight
	TPC-12B-2	200		4.13
	TPC-12B-3	300		5.84
	TPC-12B-4	400		10.09
	TPC-12B-5	500	400 550 600	12.40
	TPC-12B-6	600		15.54
	TPC-12B-8	800		20.32
	TPC-12B-9	900		23.98
	TPC-12B-10	1000		29.53

电缆竖井
Cable shaft

型号 Type	b (mm)	a (mm)	d×a (mm)	重量(kg) Weight
SJ-4×3	400	300	600×240	51.63
SJ-4×6		600		72.42
SJ-5×3	500	300	600×340	59.38
SJ-5×6		600		78.54
SJ-6×3	600	300	600×440	65.51
SJ-6×6		600		86.50
SJ-8×3	800	300	600×600	89.72
SJ-8×6		600		112.65
SJ-10×3	1000	300	600×800	105.90
SJ-10×6		600		128.63
SJ-12×3	1200	300	600×1000	121.52
SJ-12×6		600		144.36

竖井盖板
Shaft cover

型号 Type	b (mm)	a (mm)	b1×n	a1×n	重量(kg) Weight
CSJ-4×3	500	400	110×4	85×4	4.4
CSJ-4×6		700	128×5	7.9	
CSJ-5×3	600	400	135×4	85×4	5.3
CSJ-5×6		700	128×5	9.5	
CSJ-6×3	700	400	128×5	88×4	6.2
CSJ-6×6		700	130×5	11.1	
CSJ-8×3	900	400	142×6	88×4	8.7
CSJ-8×6		700	130×5	15.1	
CSJ-10×3	1100	400	105×10	88×4	10.6
CSJ-10×6		700	130×5	18.4	
CSJ-12×3	1300	400	125×10	88×4	12.5
CSJ-12×6		700	130×5	21.7	

竖井接头(双侧)
Shaft connection(double sided)

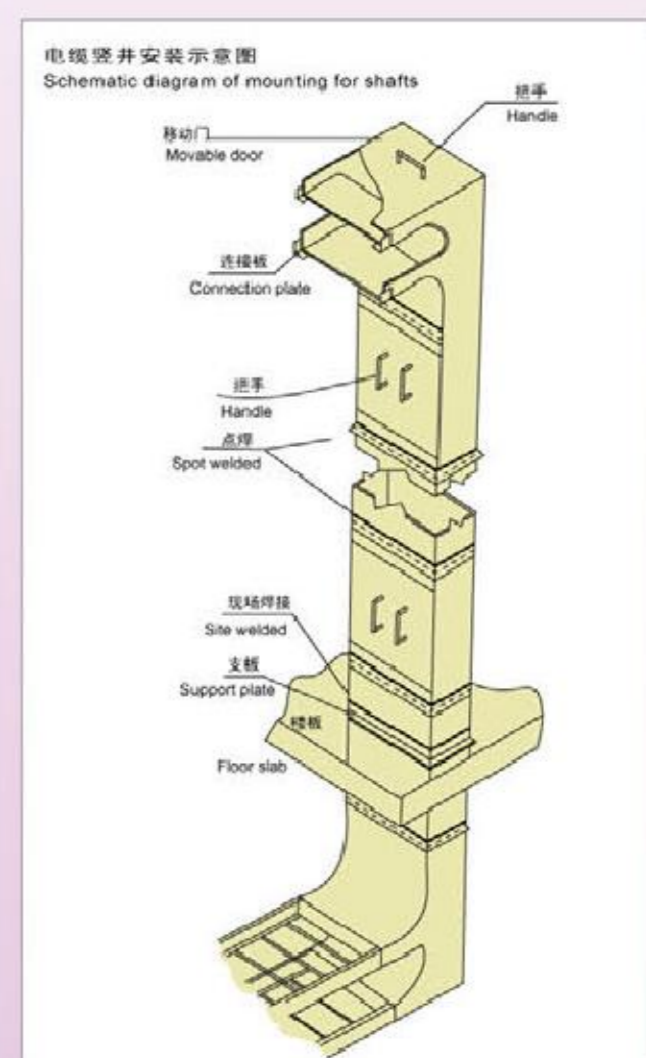
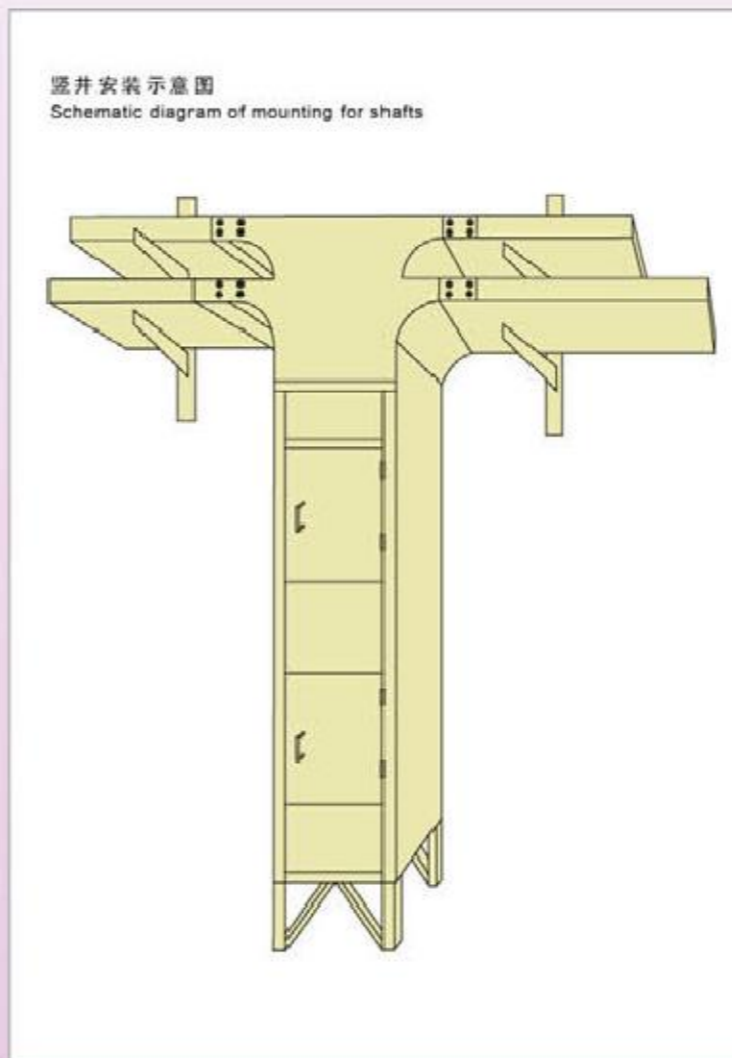
型号 Type	h (mm)	b (mm)	H (mm)	重量(kg) Weight
SJ-T2-4×6×6	100	400	300	32.14
SJ-T2-5×6×6		500		35.48
SJ-T2-6×6×6		600		38.65
SJ-T2-8×6×6		800		54.61
SJ-T2-4×6×10	150	400	350	34.94
SJ-T2-5×6×10		500		39.20
SJ-T2-6×6×10		600		42.52
SJ-T2-8×6×10		800		59.29
SJ-T2-10×6×10	200	1000	400	65.21
SJ-T2-4×6×15		400		43.41
SJ-T2-5×6×15		500		46.62
SJ-T2-6×6×15		600		49.92
SJ-T2-8×6×15	800	65.75		
SJ-T2-10×6×15	1000	73.74		
SJ-T2-12×6×15	1200	82.48		

注: 法兰螺孔见同型号竖井盖板
Note: For flange bolt holes see shaft cover with the same size.

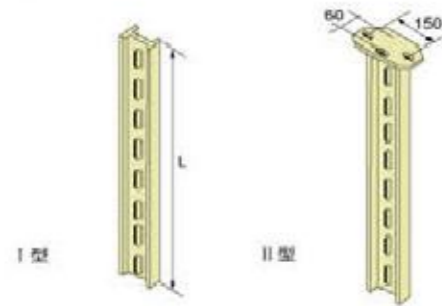
竖井接头(单侧)
Shaft connection(single sided)

型号 Type	h (mm)	H (mm)	b (mm)	a (mm)	重量(kg) Weight	重量(kg) Weight
SJ-T1-4×6×6	100	300	400	300/600	21.77	29.37
SJ-T1-5×6×6			500		24.80	32.30
SJ-T1-6×6×6			600		27.71	35.26
SJ-T1-8×6×6			800		41.01	50.37
SJ-T1-4×6×10	150	350	400	350/600	25.68	33.28
SJ-T1-5×6×10			500		28.66	36.17
SJ-T1-6×6×10			600		31.54	39.87
SJ-T1-8×6×10			800		44.76	54.12
SJ-T1-10×6×10	200	400	1000	300/600	51.86	61.30
SJ-T1-4×6×15			400		27.28	36.12
SJ-T1-5×6×15			500		30.49	38.80
SJ-T1-6×6×15			600		33.51	41.85
SJ-T1-8×6×15	800	47.00	57.15			
SJ-T1-10×6×15	1000	54.34	64.63			
SJ-T1-12×6×15	1200	61.71	71.86			

注: 法兰螺孔见同型号竖井盖板
Note: For flange bolt holes see shaft cover with the same size.



XQJ-H-01A工字钢立柱 I-Steel post

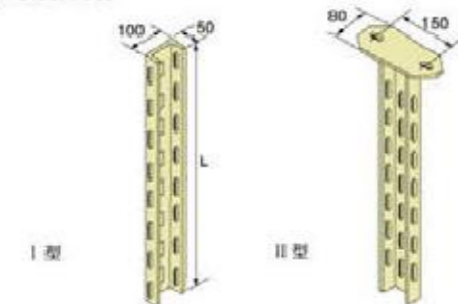


H-01A工字钢是支撑电缆桥架的主要部件。它适用于电缆多、荷载重、桥架跨度大的场合。它可以根据需要安装成悬吊式、直立型、侧臂式。悬吊式、直立型均可双边多层安装。根据需要，亦可采用10#工字钢，其长度按需要选择。

H-01A I-Steel upright post is the main components of supporting cable bridgefranc. It suits for the situation of more cable, heavy load, Largy span bridgeframe and also can be installed in hanging type, standing type, side-arm-type according to the require ments. Hanging-type, stanging type all can be midlayer installed in both-side. In line with the design, I-steel also can be used, the length of which depends on the reauire menrs.

序号 NO.	型号 Type	L (mm)	重量kg Weight	备注 Remarks
1	H-01A-3	300	5.74	II型每件加重1.30kg II Pattern each Piece adds 1.30kg
2	H-01A-5	500	8.48	
3	H-01A-8	800	12.03	
4	H-01A-10	1000	14.57	
5	H-01A-15	1500	21.26	
6	H-01A-20	2000	27.24	
7	H-01A-25	2500	32.98	
8	H-01A-30	3000	40.16	

XQJ-H-01C槽钢立柱 Trough-Steel Post

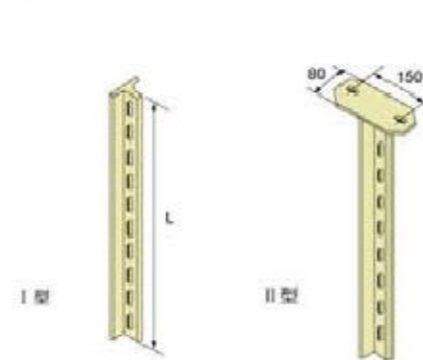


H-01C槽型立柱可作垂直引下、引上或与TB-03托臂配套作吊装立柱。

H-01C trough-type upright post can do vertical down-leading, up-leading or be linked with TB-03 brack arm as hoisting upright.

序号 NO.	型号 Type	L (mm)	重量kg Weight	备注 Remarks
1	H-01C-3	300	4.36	II型每件加重1.30kg II Pattern each Piece adds 1.30kg
2	H-01C-5	500	5.93	
3	H-01C-8	800	8.29	
4	H-01C-10	1000	9.87	
5	H-01C-15	1500	13.80	
6	H-01C-20	2000	17.73	

XQJ-H-01B丁字钢立柱 T-Steel post-Type post

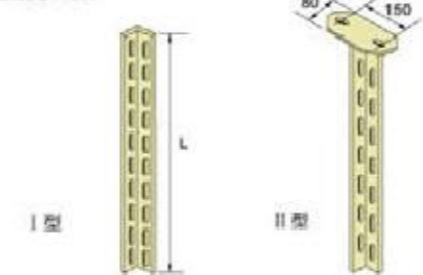


H-01B丁字钢立柱可在荷载轻时作单边吊装，配套托臂为TB-01A，安装方法与工字钢相同。

H-01B T-steel upright post can do one-side installation on light load necessary bracket arm is TB-01A, installation method is same with I-Steel.

序号 NO.	型号 Type	L (mm)	重量kg Weight	备注 Remarks
1	H-01B-3	300	3.15	II型每件加重1.30kg II Pattern each Piece adds 1.30kg
2	H-01B-5	500	3.93	
3	H-01B-8	800	4.83	
4	H-01B-10	1000	5.86	
5	H-01B-15	1500	8.15	
6	H-01B-20	2000	10.54	
7	H-01B-25	2500	15.72	
8	H-01B-30	3000	19.83	

XQJ-H-01D角钢立柱 Angle Steel Post

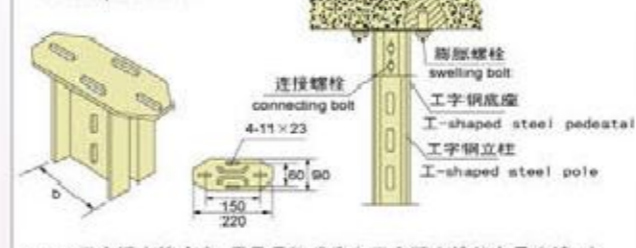


H-01D角钢立柱可用作轻荷载单边吊装立柱，配套托臂为TB-03。

H-01D angle steel upright post can be used as light-load-one-side hoisting upright post, necessary bracket arm is TB-03.

序号 NO.	型号 Type	L (mm)	重量kg Weight	备注 Remarks
1	H-01D-3	300	3.18	II型每件加重1.30kg II Pattern each Piece adds 1.30kg
2	H-01D-5	500	3.96	
3	H-01D-8	800	5.14	
4	H-01D-10	1000	5.93	
5	H-01D-15	1500	7.89	
6	H-01D-20	2000	9.87	

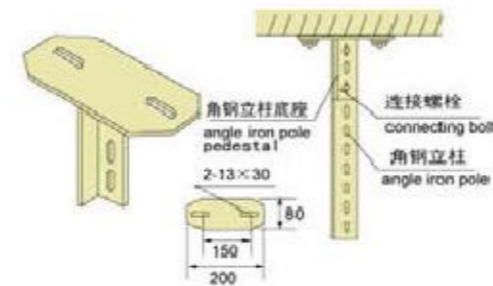
XQJ-H-02A工字钢立柱底座 I-Steel post Base



H-02A工字钢立柱底座，用于悬挂式直立工字钢立柱的支承连接。安装时先用M12膨胀螺栓或予埋螺栓固定好底座（如与钢件连接可采用焊接，焊好后油漆），然后用M12x30连接螺栓固定工字钢。
H-02A I-steel up right post foundation is used in the supporting connector of hangvg-Type vertical I-steel posts. M12 expanding bolt or prebu ried bolt is firstly used in the in stallation to fix the foundation (of) fouedation is sconnected with steel pieces, welding can be used and than sparys.

型号 Type	b (mm)	单价元/件 Unit price	备注 Remarks
H-02A-8#	70	23.80	配8#工字钢fitting with 8# I-Steel
H-02A-10#	90	24.90	配10#工字钢fitting with 10# I-Steel

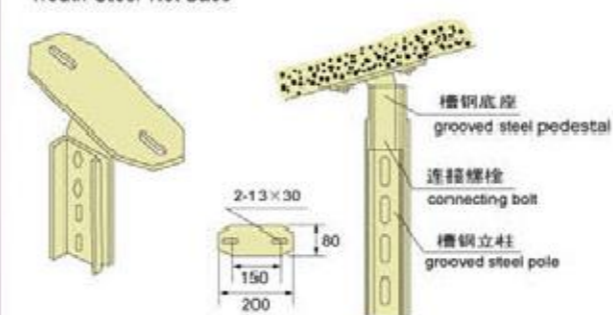
XQJ-H-02D角钢立柱底座 Angle Steel Post Base



H-02D角钢立柱底座与H-01B4#、5#丁字钢立柱式、H-01D角型立柱配套作吊装桥架用，连接螺栓M10x25每件重量1.3kg。

H-02D angle iron post foundation is linked with H-01B4# 5#T-steel post, H-01D angle iron post as hoisting bridgeframe, connecting bolt-M10x25 each piece weighs 1.3kg.

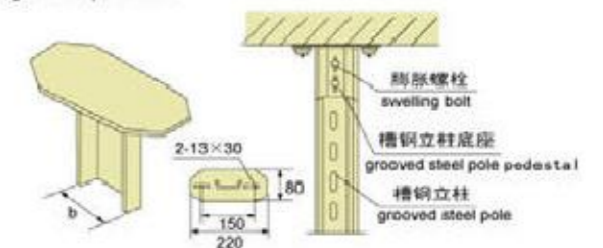
XQJ-H-03C槽钢倾斜底座 Trough-Steel Tilt Base



H-03C型槽钢倾斜底座与H-01C型槽钢立柱、H-01E异形立柱，在需倾斜安装时选用，每件重量2.5kg。

H-03C chsnri iron indoined foundation can be linked with H-01 C Trough steel post. H-01E speal-shaped post, IT can be a choice when in clined installation is necessary, each piece vreighs 2.5kg.

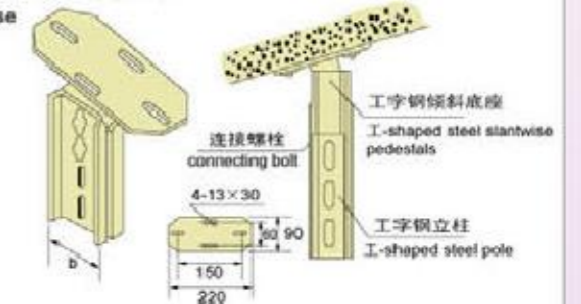
XQJ-H-02C槽钢立柱底座 Trough-Steel post Base



H-02槽钢立柱底座可与H-01C槽型立柱、H-01E异形立柱配套，可作吊装电缆或垂直引上、引下用。
H-02C trough-steel post foundation can be linked with H-01C trough-type post, H-01E shedial-shaped post, and also be used as hoisting cable ordo vertical up-leading.

型号 Type	b (mm)	单价元/件 Unit price	备注 Remarks
H-02C-8#	70	20.5	配8#-01C、H-01立柱fitting with 8# -upright post
H-02C-10#	90	21.8	配10#-01C、H-01立柱fitting with 10# -upright post

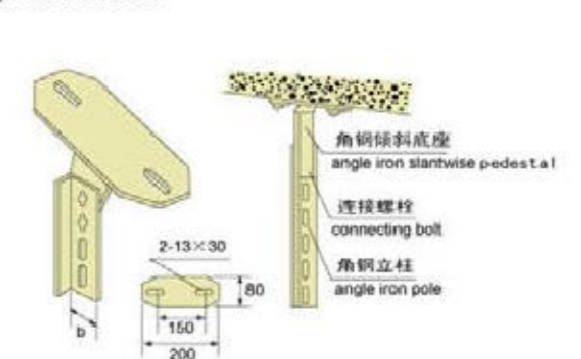
XQJ-H-03A工字钢倾斜底座 I-Steel Tilt Base



H-03A倾斜底座与H-01A型工字钢立柱配套，适用于倾斜过梁安装，也可紧固在壁上作倾斜支撑用。
H-03a indtned foundation is linked with H-01A I-Steel post, which suitsfor the installatim of cross dein and also can be on the wall as indined support.

型号 Type	b (mm)	单价元/件 Unit price	备注 Remarks
H-03A-8#	70	23.8	配8#工字钢立柱 fitting with 8#-Steel post
H-03A-10#	90	24.90	配10#工字钢立柱 fitting with 10# -Steel post

XQJ-H-03D角钢倾斜底座 Angle-Steel Tilt Base



型号 Type	b (mm)	单价元/件 Unit price	备注 Remarks
H-03D	40	23.52	H-01D、H-01B立柱fitting with H-01D、H-01B Post

XQJ-H-01E异型立柱
Dianeler-type Pole

I型 II型

H-01E异型立柱可作为单边吊装桥梁的立柱，本套托臂为TB-02，底座连接螺栓M12????

H-01E Special-shaped upright post can be used as up right post of one-side hoisting bridgeframe, necessary bracket arm is TB-02, foundation connecting bolt is M12

序号 NO.	型号 Type	L (mm)	重量 kg Weight	备注 Remarks
1	H-01E-3	300	3.48	II型每件加重1.25kg II Pattern each piece add 1.25kg
2	H-01E-5	500	4.47	
3	H-01E-7	700	4.96	
4	H-01E-8	800	5.95	
5	H-01E-10	1000	6.95	
6	H-01E-13	1300	7.92	
7	H-01E-15	1500	9.42	
8	H-01E-20	2000	11.89	
9	H-01E-25	2500	13.89	
10	H-01E-30	3000	16.89	
11	H-01E-35	3500	19.89	
12	H-01E-40	4000	23.89	

XQJ-T型立柱
XQJ-T-Pole

T型支柱，用于单层梯架或托盘架，并适用于独立安装场所，H和L长度可按用户需要长度供货。

T-support is used in the layment of single-layer stair frame or tray setting and used in the place of independent installation, length of H and L can be supplied according to the requirements of users.

型号 Type	H (mm)	L (mm)	a (mm)	b (mm)	φ (mm)	重量 kg Weight
T-225	2500 (12.6#1)	500	150	250	20	52.80
-256		600				53.60
-257		700				54.50
T-305	3000 (14#1)	500	150	250	20	69.30
-306		600				70.20
-307		700				71.10
T-355	3500 (14#1)	500	200	300	22	80.90
-356		600				81.80
-357		700				82.70
T-405	4000 (16#1)	500	200	300	22	105.80
-406		600				106.70
-407		700				107.60

XQJ-ZJ1型支架
XQJ-ZJ1 Frame

型号 Type	b (mm)	a (mm)	c (mm)	e (mm)	重量 kg Weight
ZJ1-2	250	250	50	L50×5	2.85
ZJ1-3	350				3.21
ZJ1-4	450				3.59
ZJ1-5	550				4.42
ZJ1-6	650				4.49
ZJ1-10	1050				9.25
ZJ1-12	1250				10.41

XQJ-ZJ2型支架
XQJ-ZJ2 Frame

型号 Type	b (mm)	c (mm)	重量 kg Weight
ZJ2-2	250	250	1.66
ZJ2-3	350		2.42
ZJ2-4	450		2.99
ZJ2-5	550		3.65
ZJ2-6	650		4.32
ZJ2-10	1050		7.02
ZJ2-12	1250		8.35

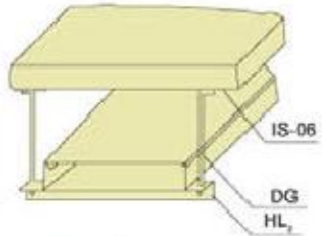
XQJ-ZJ3型支架
XQJ-ZJ3 Frame

型号 Type	b (mm)	a (mm)	h (mm)	e (mm)	重量 kg Weight
ZJ3-1	150	270	90	40×4	0.61
ZJ3-2	250	370			0.84
ZJ3-3	350	470			2.11
ZJ3-4	450	570			2.44
ZJ3-5	550	670			2.84
ZJ3-6	650	770			3.11
ZJ3-10	1050	1170			6.12
ZJ3-12	1250	1370			6.97

产品外形	型号 Type	L (mm)	重量 kg Weight	备注 Remarks	安装图例
XQJ-TB-01A型托臂 Bracket Arm 	TB-01A-10	140	4.46	螺栓、压板 配置供给。 M12螺栓0.81元/只， 压板2.90元/块。 Fitting to supply with bolts pressing board bolt M12 0.81 Yuan/piece pressing board 2.9 Yuan/pide.	<p>H-01A型立柱 H-01A steel pole TB-01A型托臂 TB-01A supporting arm</p>
	TB-01A-15	190	5.00		
	TB-01A-20	240	5.35		
	TB-01A-25	290	5.80		
	TB-01A-30	340	6.50		
	TB-01A-40	440	7.4		
	TB-01A-50	540	8.20		
	TB-01A-60	640	13.82		
	TB-01A-80	840	16.2		
	TB-01A-100	1040	19.82		
XQJ-TB-01B型托臂 Bracket Arm 	TB-01B-10	140	4.30	连接螺栓 M12 Connecting bolt M12.	<p>TB-01B型托臂 TB-01B supporting arm 墙(柱) Wall Poles/Wall Poles.</p>
	TB-01B-15	190	4.69		
	TB-01B-20	240	5.35		
	TB-01B-25	140	5.2		
	TB-01B-30	340	5.59		
	TB-01B-40	440	7.33		
	TB-01B-50	540	9.13		
	TB-01B-60	640	9.9		
	TB-01B-80	840	13.91		
	TB-01B-100	1040	18.95		
XQJ-TB-03型托臂 Bracket Arm 	TB-03-10	140	2.96	连接螺栓 M10 0.8元/只 Connecting bolt M10 0.8Yuan/piece.	<p>TB-03型托臂 TB-03s supporting arm 墙(柱) Walls(Poles)</p>
	TB-03-15	190	3.15		
	TB-03-20	240	3.35		
	TB-03-25	290	4.45		
	TB-03-30	340	4.58		
	TB-03-40	440	6.9		
	TB-03-50	540	9.83		
	TB-03-60	640	12.41		
	TB-03-80	840	16.3		
	TB-03-100	1040	18.29		
XQJ-TB-03A型托臂 Bracket Arm 	TB-03A-10	140	4.25		<p>H-01D型立柱 H-01D Pole TB-03A型托臂 TB-03A supporting arms</p>
	TB-03A-15	190	4.50		
	TB-03A-20	240	4.92		
	TB-03A-25	290	5.45		
	TB-03A-30	340	6.98		
	TB-03A-40	440	6.98		
	TB-03A-50	540	7.96		
	TB-03A-60	640	8.94		
	TB-03A-80	840	10.96		
	TB-03A-100	1040	12.86		
XQJ-TB-04型托臂 Bracket Arm 	TB-04-15	150	3.46		<p>膨胀螺栓 swelling bolt TB-04型托臂 TB-04 supporting arms XQJ系列桥梁 XQJ Series bridge frame</p>
	TB-04-20	200	3.70		
	TB-04-30	300	4.19		
	TB-04-35	350	4.34		
	TB-04-40	400	4.64		
	TB-04-50	500	5.06		
	TB-04-55	550	6.26		
	TB-04-60	600	6.78		
	TB-04-70	700	7.42		
	TB-04-80	800	8.02		

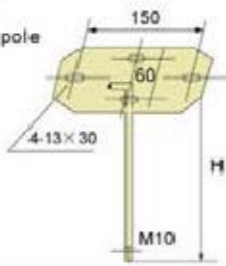
XQJ-GZJ型固定支架 XQJ-GZJ Type Fixing stand		型号 Type	a	b	d	e	L	重量 Weight	可装 TB-01A 数量	安装图例 Legend for Installation
	GZJ-12	200						5.02	1	
	GZJ-13	300	300	300	L40×5	180	5.58			
	GZJ-14	400					6.14			
	GZJ-22	200				180	9.82			
	GZJ-23	300	400	500	L50×5	180	11.46	2		
	GZJ-24	400					12.35			
	GZJ-32	200				180	15.30	3		
	GZJ-33	300	500	800	L50×5	220	16.83			
	GZJ-34	400					18.15			
	GZJ-42	200				220	21.40	4		
GZJ-43	300	160	1100	L56×5	220	22.46				
GZJ-44	400					23.50				

**悬吊式安装
Hoisting-Type Installation of Tray**



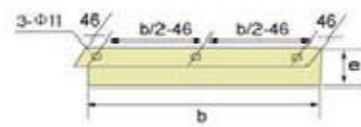
型号 Type	名称
IS-06	膨胀螺丝
XQJ-DG	吊杆
XQJ-HLZ	横梁

**DG型吊杆
DG Hoisting pole**



型号 Type	H	重量kg Weight	备注 Remarks
DG-5	500	1.11	
DG-10	1000	1.32	
DG-15	1500	1.60	
DG-20	2000	1.93	

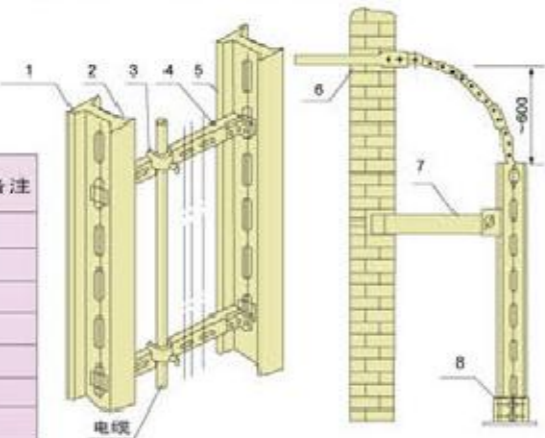
**HL2型横梁
HL2 crossbeam**



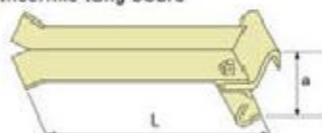
型号 Type	b	e	重量kg Weight
HL2-7	700	L63×6	3.90
HL2-10	1000	L63×6	5.70
HL2-16	1600	L63×8	15.30
HL2-21	2100	L63×8	20.20

**XQJ-ZYS 型引上装置
Hold Up Guides**

件号	名称	型号	备注
1	垫片	XQJ-DP-50	
2	工字钢	XQJ-H-01A	
3	电缆卡子	XQJ-K-08	
4	横梁	XQJ-HL	
5	固定板	XQJ-GDB3	
6	支架	XQJ-ZJ2	
7	铝形夹板	XQJ-QJB	
8	工字钢立柱底座	XQJ-H-02A	



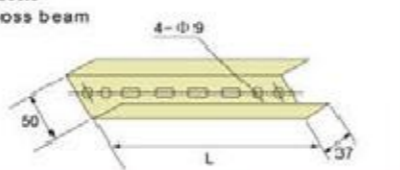
**QJB型钳形夹板
QJB pincerlike tong board**



L长度根据需要供货
The length can be supplied according to customer's requirements

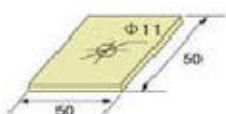
型号 Type	a	L	工字钢#	重量kg Weight	螺栓
QJB5-5	55	500	8#	2.80	M10×24
QJB5-10	55	1000	10#	4.80	M10×24
QJB6-5	68	500	8#	3.00	M10×40
QJB6-10	68	1000	10#	5.20	M10×40

**HL 横梁
HL cross beam**



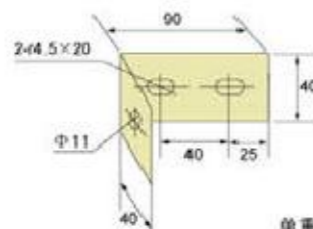
型号 Type	HL-5	HL-9	HL-12	HL-15
L	500	900	1200	1500
重量kg(Weight)	2.60	5.10	6.30	7.20

**DP 型垫片
DP spacer**



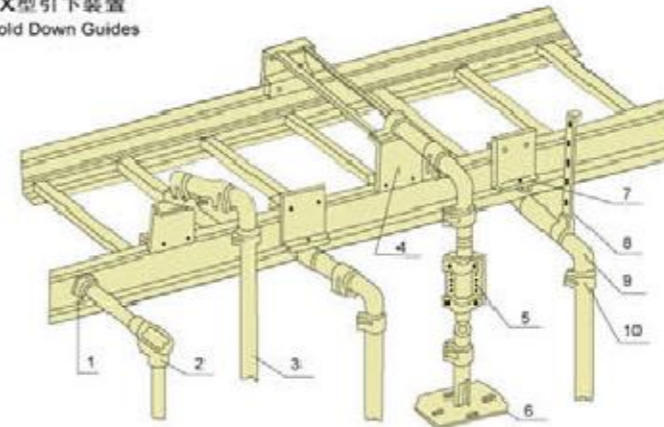
单重: 0.16kg
piece weight

**GDB3 型固定板
GDB3 fixing board**



单重: 0.15kg
piece weight

**XQJ-GYX型引下装置
Vertical Hold Down Guides**

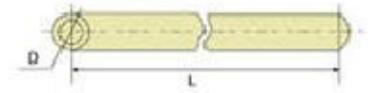


型号 NO.	产品名称 Name	型号 Type
1	管接头	XQJ-TPC-13
2	铝合金穿线盒	YHX-E, T, S
3	钢管	GG
4	固定架	GDJ2
5	开关底座	KGZ
6	管座	GZ
7	固定架	GDJ1
8	吊杆	DG2
9	钢管弯头	GWT
10	钢管接头	GT

**说明
Directions**

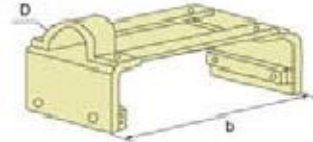
GYX型引下装置, 广泛应用于工厂企业。当电缆桥架引至用电设备, 可通过该装置来实现。除图中列出的A、B、C、D、E型外, 按用户需要可提供特殊类型的引下装置, 欢迎订购。

**GG型钢管
Steel tube**



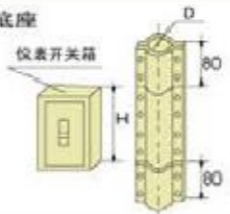
型号 Type	D(mm)	重量kg/米 Weight	备注 Remarks
GG-25	φ25	2.69	选型时 不注明长度 L按4000 mm 供货
GG-40	φ40	4.62	
GG-50	φ50	5.90	
GG-60	φ60	7.18	
GG-80	φ80	12.02	

**GDJ2型固定架
Fixed frame**



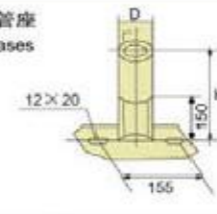
型号 Type	D(mm)	备注 Remarks
GDJ2-25	φ25	选型时 请在型号内 加注配套桥 架宽度b
GDJ2-40	φ40	
GDJ2-50	φ50	
GDJ2-60	φ60	
GDJ2-80	φ80	

**KGZ型开关底座
KGZ Switch foundation**



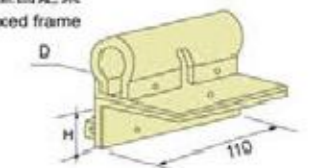
型号 Type	D(mm)	备注 Remarks
KGZ-25	φ25	选型时 不注明仪表 开关箱高度 H, 按400mm 供货。
KGZ-40	φ40	
KGZ-50	φ50	
KGZ-60	φ60	
KGZ-80	φ80	

**GZ型管座
Tube Bases**



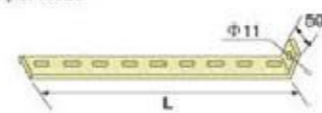
型号 Type	D(mm)	备注 Remarks
GZ1-25	φ25	选型时 不注明高度 H, 按500mm 供货。
GZ1-40	φ40	
GZ1-50	φ50	
GZ1-60	φ60	
GZ1-80	φ80	

**GDJ1型固定架
GDJ1 fixed frame**



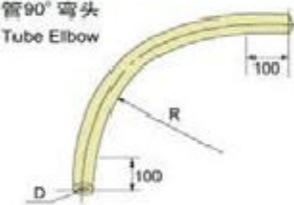
型号 Type	D(mm)	备注 Remarks
GDJ1-25	φ25	选型时 请在型号内 加注配套桥 架高度H
GDJ1-40	φ40	
GDJ1-50	φ50	
GDJ1-60	φ60	
GDJ1-80	φ80	

**DG2型吊杆
Hanper Rods**



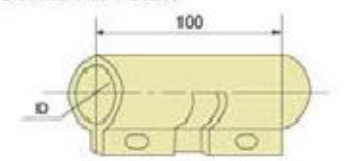
型号 Type	L (mm)	重量 Weight	备注 Remarks
DG2-5	500	0.85	
DG2-10	1000	1.63	
DG2-15	1500	2.41	
DG2-20	2000	3.19	
DG2-25	2500	3.97	

**GWT型钢管90°弯头
GWT-Steel Tube Elbow**



型号 Type	D (mm)	R (mm)	重量kg/m Weight/m
GWT-25	φ25	300	2.69
GWT-40	φ40	300	4.62
GWT-50	φ50	500	5.90
GWT-60	φ60	500	7.18
GWT-80	φ80	500	12.02

**GT型钢管接头
GT Steel tube connectors**



型号 Type	D(mm)	备注 Remarks
GT-25	φ25	
GT-40	φ40	
GT-50	φ50	
GT-60	φ60	
GT-80	φ80	

IS-01方颈连接螺栓
Aqare neck connecting boat

型号 Type	M	备注 Remarks
IS-01-6	M6	
IS-01-8	M8	
IS-01-10	M10	

IS-02半圆连接螺栓
Semicircle connecting bolt

型号 Type	M×L	备注 Remarks
IS-02-5	M5×22	
IS-02-6	M6×22	
IS-02-8	M8×22	

IS-03六角连接螺栓
Hexgon connecting bolt

型号 Type	M	备注 Remarks
IS-03-8	M8×22	
IS-03-10	M10×25	
IS-03-12	M12×30	

IS-04T型螺栓
T bolt

型号 Type	M×L	备注 Remarks
IS-04-8	M8×30	
IS-04-10	M10×35	

IS-05T型螺栓
T bolt

型号 Type	M×L	备注 Remarks
IS-05-8	M8	
IS-05-10	M10	

IS-06膨胀螺栓
Expanding bolt

型号 Type	M×L	允许拉力 Permitted pull force	
IS-06-6	M6×65, 80	200号混凝土 Donerete	
IS-06-8	M8×80, 100		
IS-06-10	M10×95, 110		
IS-06-10	M10×125		350
IS-06-12	M12×110		500
IS-06-12	M12×130		720
IS-06-12	M12×150	1000	

FJ-01吊板
Hoisting board

FJ-02吊夹
Hoisting tongs

FJ-03吊框
Hoisting frame

用于50×50、100×50配线槽吊装
Fits to 50×50, 100×50 wir fittings trough

FJ-07槽板
Trough board

用于电卡座和仪表基座
Fits to the fundation of cable and in strument

型号 Type	L (mm)	备注 Remarks
FJ-07-200	200	
FJ-07-400	400	
FJ-07-600	600	
FJ-07-800	800	
FJ-07-1000	1000	

FJ-08异型槽板
Speciald-shaped trough board

用于电缆卡座和仪表基座
Fits to the fundation of cable and in strument

型号 Type	L (mm)	备注 Remarks
FJ-08-200	200	
FJ-08-600	600	
FJ-08-1000	1000	
FJ-08-1500	1500	
FJ-08-2000	2000	

FJ-09花盘角铁
Faceplate angle iron

用于电缆卡座和仪表基座
Fits to the fundation of cable and in strument

型号 Type	L (mm)	备注 Remarks
FJ-09-200	200	
FJ-09-600	600	
FJ-09-1000	1000	
FJ-09-1500	1500	
FJ-09-2000	2000	

K-01单面电缆卡
Single face cable tong

接螺栓M5×22配套供货
Connecting bolt M5×22 Provided in complete sets.

型号 Type	D	配用电线 Concerted Cable
K-01-13	13	φ10~φ13
K-01-17	17	φ14~φ17
K-01-21	21	φ14~φ17
K-01-25	25	φ26~φ29
K-01-29	29	φ26~φ29

K-02双边单根电缆卡
Double-side single prece cable tong

连接螺栓M5×22配套供货
Connecting bolt M5×22 Provided in complete sets.

型号 Type	D	配用电线 Concerted Cable
K-02-13	13	φ10~φ13
K-02-17	17	φ14~φ17
K-02-21	21	φ14~φ17
K-02-25	25	φ26~φ29
K-02-29	29	φ26~φ29

K-03双根电缆卡
Do ude piece cable tong

连接螺栓M5×22配套供货
Connecting bolt M5×22 provided in complete sets.

型号 Type	D	配用电线 Concerted Cable
K-03-13	13	φ10~φ13
K-03-17	17	φ14~φ17
K-03-21	21	φ14~φ17
K-03-25	25	φ26~φ29
K-03-29	29	φ26~φ29

K-04管缆卡
Pipe cale tong

型号 Type	φ	备注 Remarks
K-04-8	8	在少量管缆敷设时作定位作用。
K-04-10	10	
K-04-12	12	
K-04-14	14	It fits to fix posttion in the layment of a few pice cable
K-04-16	16	
K-04-18	18	
K-04-20	20	
K-04-22	22	

K-05多根电缆卡
Mutipieces cable tong

型号 Type	b×h	备注 Remarks
K-05-50	50×50	用于电缆直径小数量多的固定。 Used in thfuang of small diameter pipe cable.
K-05-47	97×47	
K-05-87	97×87	

K-06电缆卡带
Cable tong belt

型号 Type	规格 Standard	备注 Remarks
K-06-120	120×9	
K-06-160	160×9	
K-06-260	260×9	

K-07电缆卡子
Cable tong

配FJ-07槽板
Cooperating with FJ-07 trough board

型号 Type	规格 Standard	配电缆 Distribution Cable	备注 Remarks
K-07-30	30×50	φ15~φ30	
K-07-50	50×75	φ30~φ50	
K-07-75	75×100	φ50~φ75	

K-08电缆卡子
Cable tong

配FJ-08异型槽板 配FJ-09花盘角铁
FJ-08 diameter varied trough board
FJ-09 faceplate cooperating with angleiron

型号 Type	规格 Standard	配电缆 Distribution Cable	备注 Remarks
K-08-30	30×50	φ15~φ30	
K-08-50	50×75	φ30~φ50	
K-08-75	75×100	φ50~φ75	



盱眙生产基地

